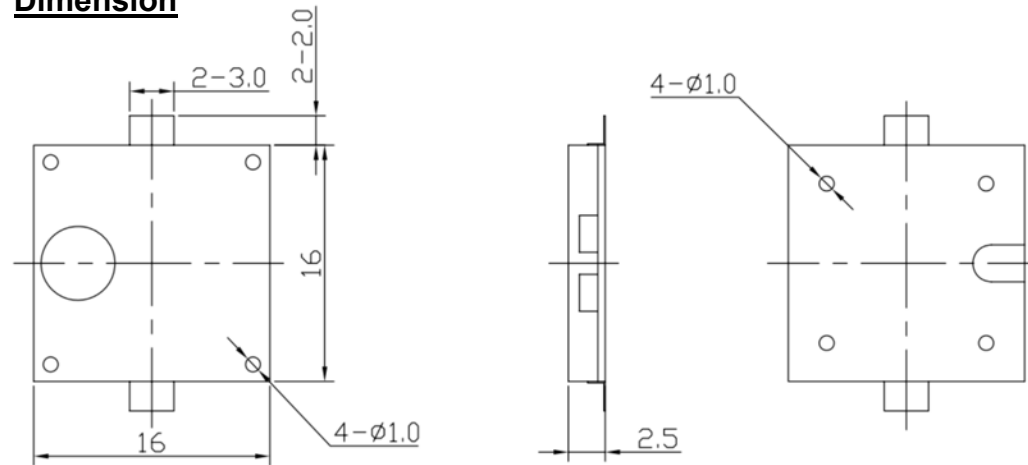
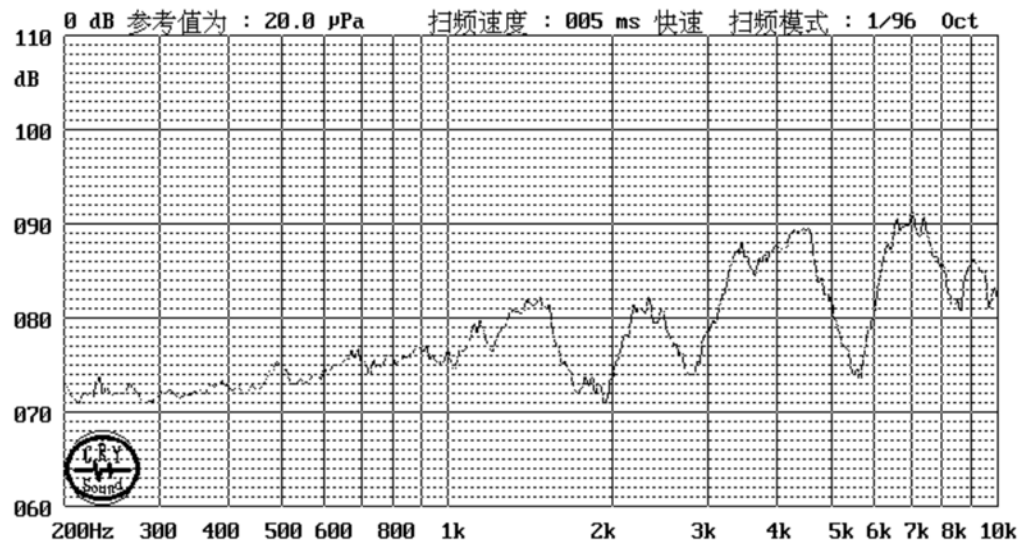


Dimension



Frequency response



Piezo Buzzer (external drive)

CA-P161625A

Feature

- Available for reflow soldering
- Application: mobile systems, control, PDA, pager., etc

Specification

Rated Voltage (Vp-p)	3
Operating Voltage (Vp-p)	1 - 25
Current Consumption (mA)	1
Capacitance (pF) at 1kHz	14,000 \pm 30%
S.P.L. (dB Distance at 10cm)	70
Resonance Frequency (Hz)	4,000 \pm 500
Operating Temperature Range ($^{\circ}$ C)	-20 ~ +70
Storage Temperature Range ($^{\circ}$ C)	-30 ~ +80