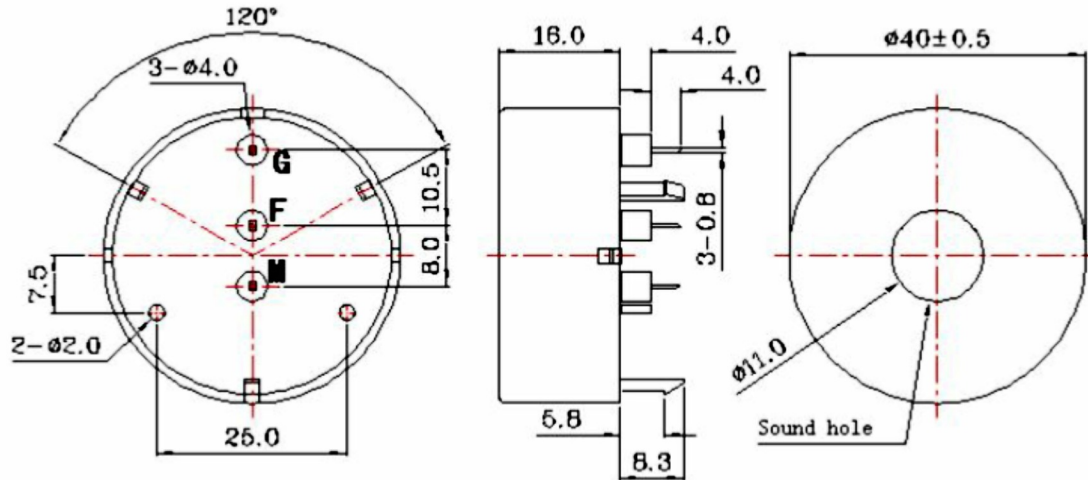
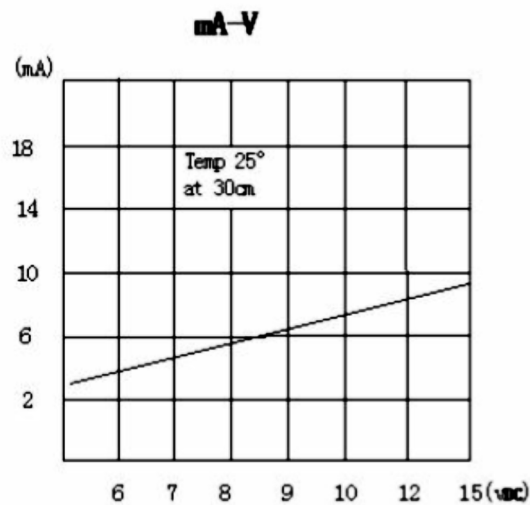
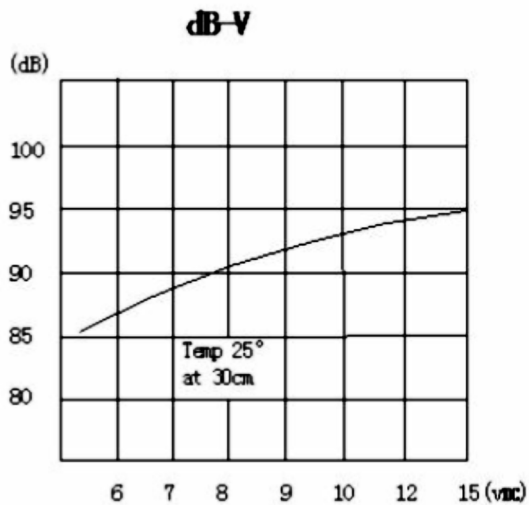


Dimension



Frequency response



Piezo Buzzer (internal drive)

CA-P4016FI

Specification

| | |
|--|----------------|
| Resonanz Frequency (Hz) | 3400 \pm 500 |
| Rated Voltage (V) | 9 |
| Operating Voltage (V) | 7-12 |
| S.P.L. (dB Distance at 30cm) | Min. 90 |
| Current Consumption (mA) | Max. 20 |
| Operating Temperature Range ($^\circ C$) | -20 ~ +60 |
| Storage Temperature Range ($^\circ C$) | -30 ~ +70 |