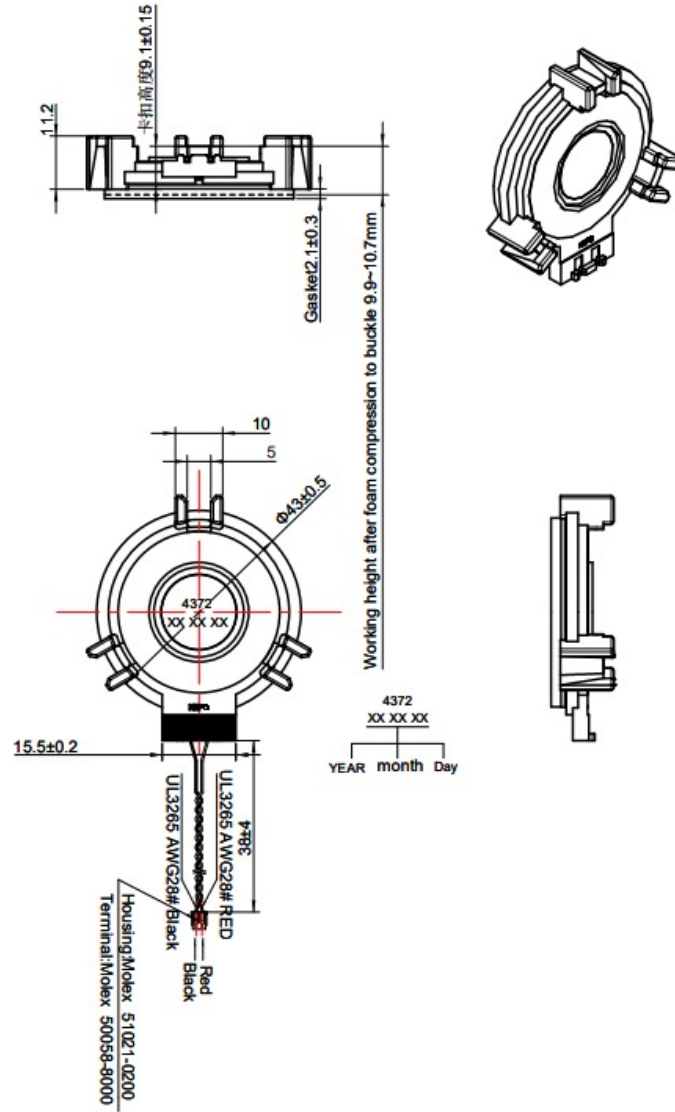


Dimension



Speaker

■ CA-SM4312A

Feature

- mini speaker
- Application: automotive eCall

Specification

| | |
|--------------------------|---|
| Dimension (mm) | Ø 43 high 12mm |
| Rated/max Input Power | 1W/2W |
| Impedance (Ω) | 8Ω ± 15% |
| S.P.L. (dB) | 84dB±3dB 0.1w,0.1m1.0,1.2,1.5,2.0KHz |
| Frequency Range (Hz) | F0~20kHz. |
| Resonance Frequency (Fo) | 400±20%Hz |
| Temperature Range (C) | -40 to + 85 |