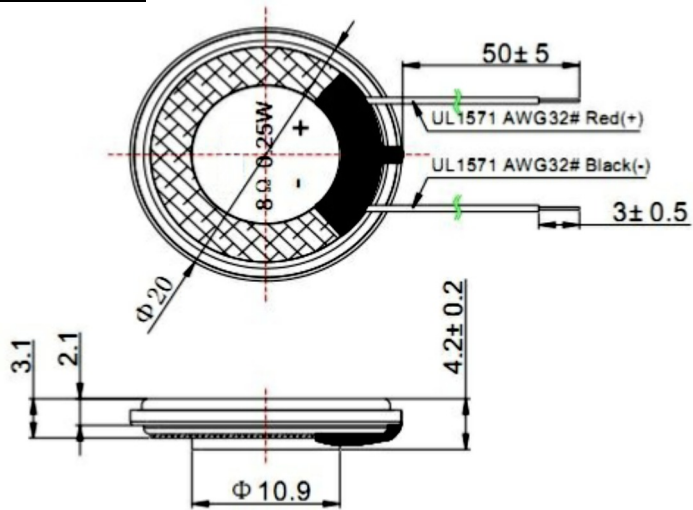


Dimension



Speaker

■ CA-SM2030A

Specification

Dimension (mm)	$\Phi 20 \times 4,2$
Rated Input Power (W)	0,25
Max. Input Power (W)	0,40
Impedance (Ω)	$8 \pm 15\%$
S.P.L. (dB)	88 ± 3
Frequency Range (Hz)	F0 ~ 7000
Reson. Frequency Fo (Hz)	$600 \pm 20\%$
Operating Temperature (C)	-30 to + 70
Storage Temperature (C)	-30 to + 80

Frequency response

