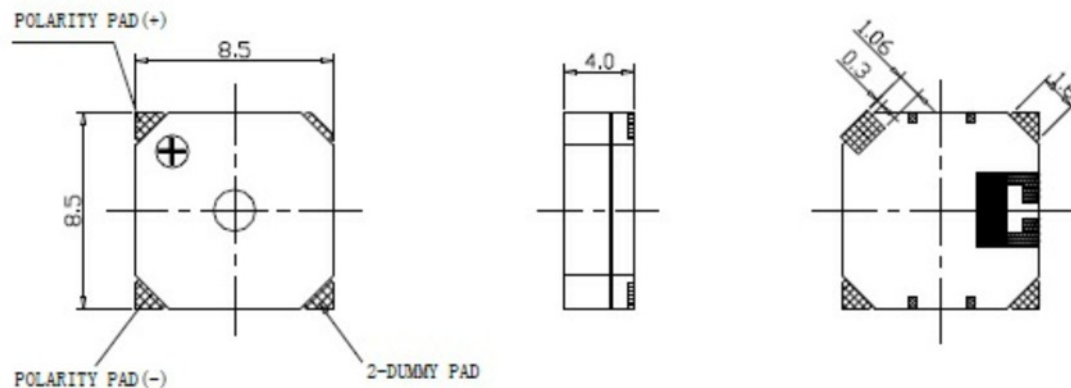
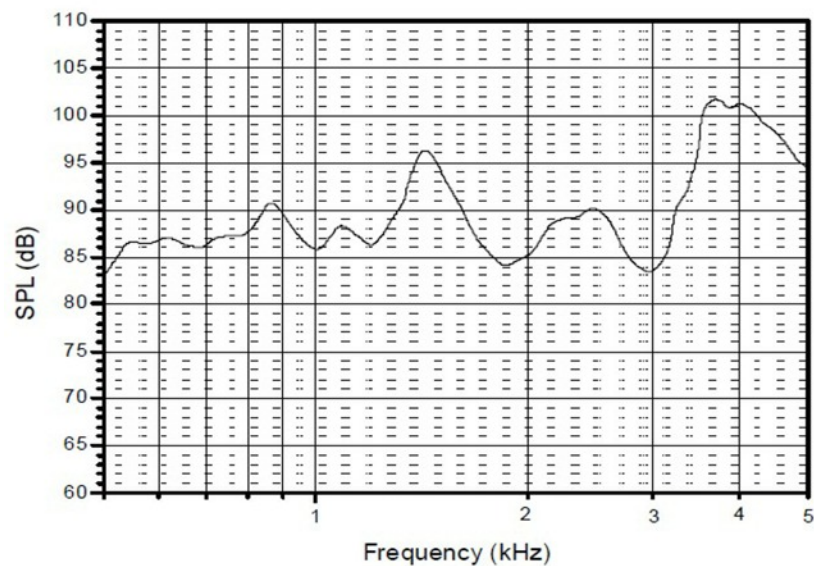


## Dimension



## Frequency response



## Magnetic Buzzer (external drive)

### CA-M858540J

#### Feature

- SMD package
- Very high sound pressure level
- Sound hole on top
- Application: industrial control, white good, instruments

#### Specification

Resonanz Frequency ( Hz )	4000
Rated Voltage ( Vp-p )	4,4
Operating Voltage ( Vp-p )	3,6-5,0
Rated Current ( mA)	max. 140
Sound Pressure Level ( dB) at 10 cm	min. 100
Coil resistance ( pF )	16 Ohm
Operating Temperature ( C)	-30 to +80