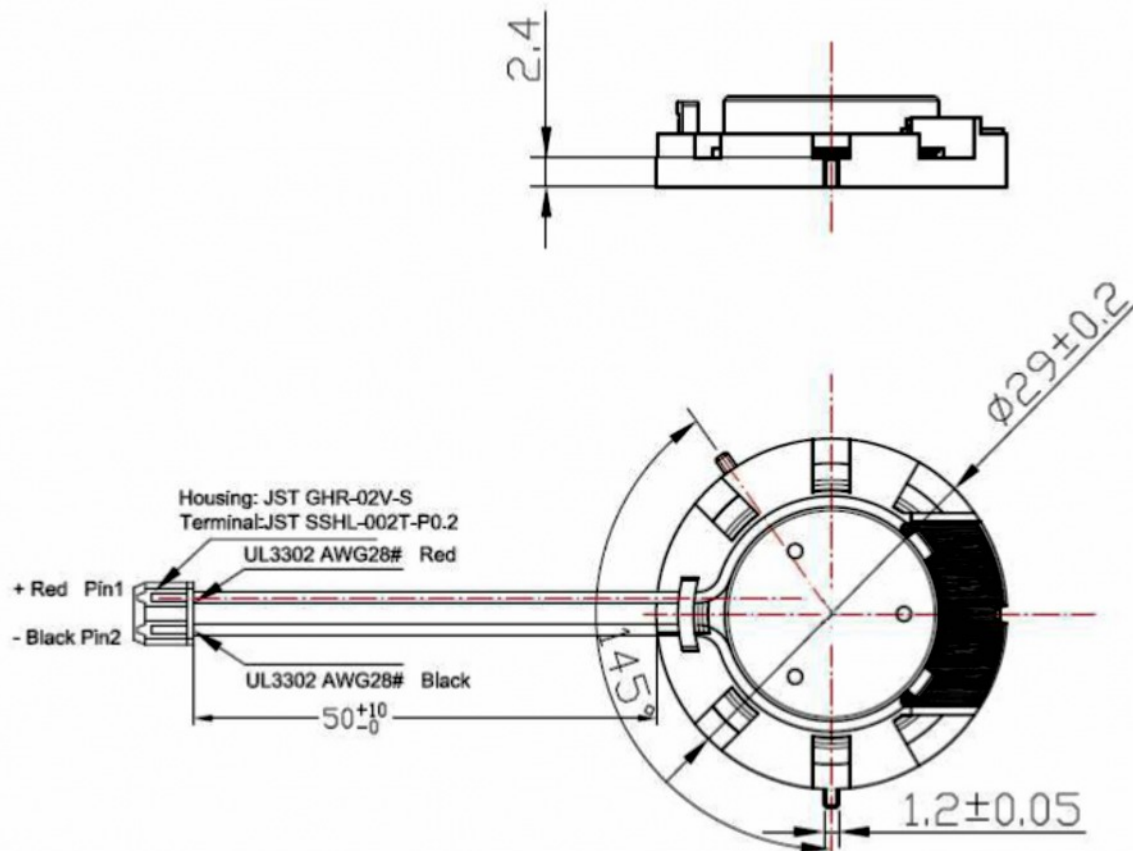


## Dimension



## Speaker

### ■ CA-SM2934A-805EW50002

## Feature

- Application: automotive, industrial, medical

## Specification

|                   |  |
|-------------------|--|
| Rated Input Power | 0.5w / max 1.0W                                    |
| Impedance         | $8\Omega \pm 15\%$ 1Vrms at 2.0KHz                 |
| SPL               | 93dB $\pm 3$ dB 0.1w/0.1m at avg 0.8,1.0,1.2,1.5Hz |
| F0                | 550Hz $\pm 20\%$                                   |
| Frequency Range   | f0~4KHz  |
| Temperature range | -40°C + 85°C                                       |