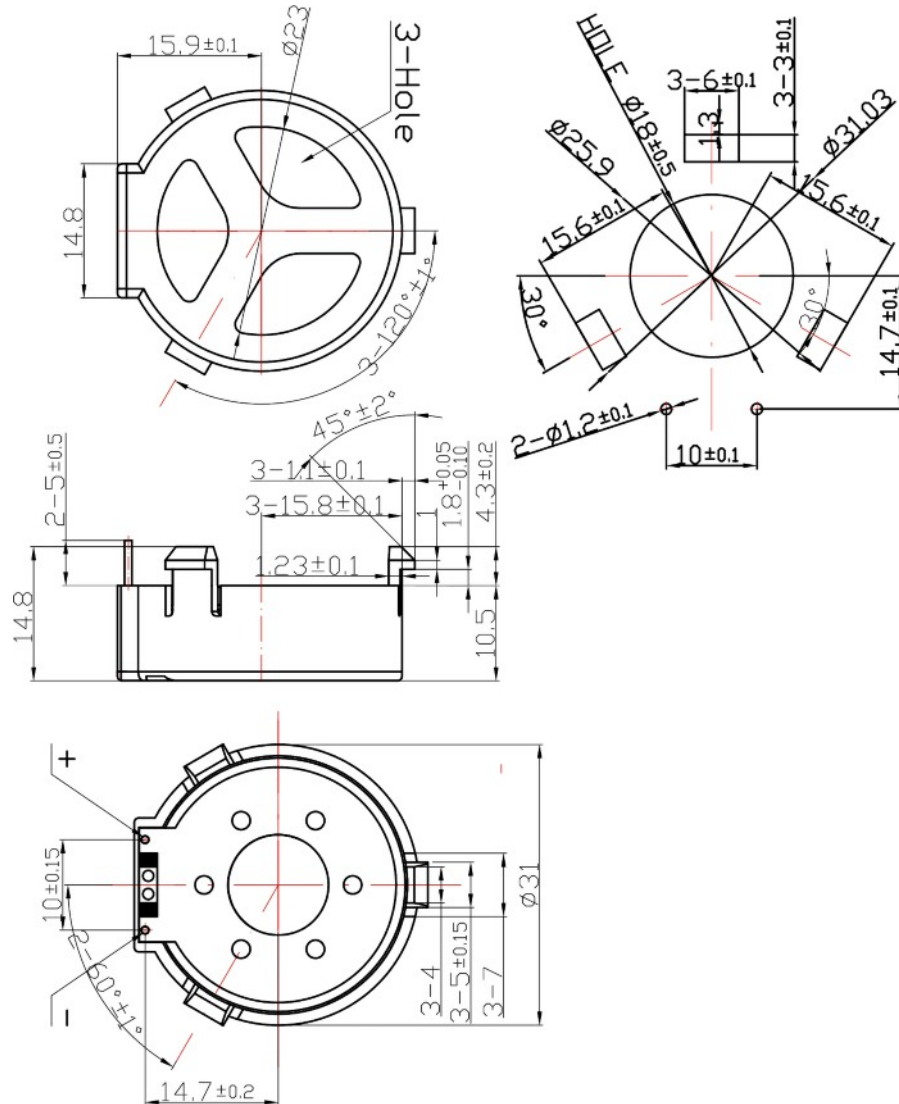


Dimension



Speakerbox

■ CA-SB3110A-4502ET

Feature

- Application: automotive, industrial, medical

Specification

Rated/Max Input Power	0.2w / 0.4W
Impedance	$45\Omega \pm 15\%$ 1Vrms at 1.0KHz
SPL	>92dB 0.2w/0.1m at 750Hz >91dB 0.2w/0.1m at 1KHz
F0	500Hz $\pm 20\%$
Frequency Range	f0~10KHz
Temperature range	$-40^\circ\text{C} + 85^\circ\text{C}$