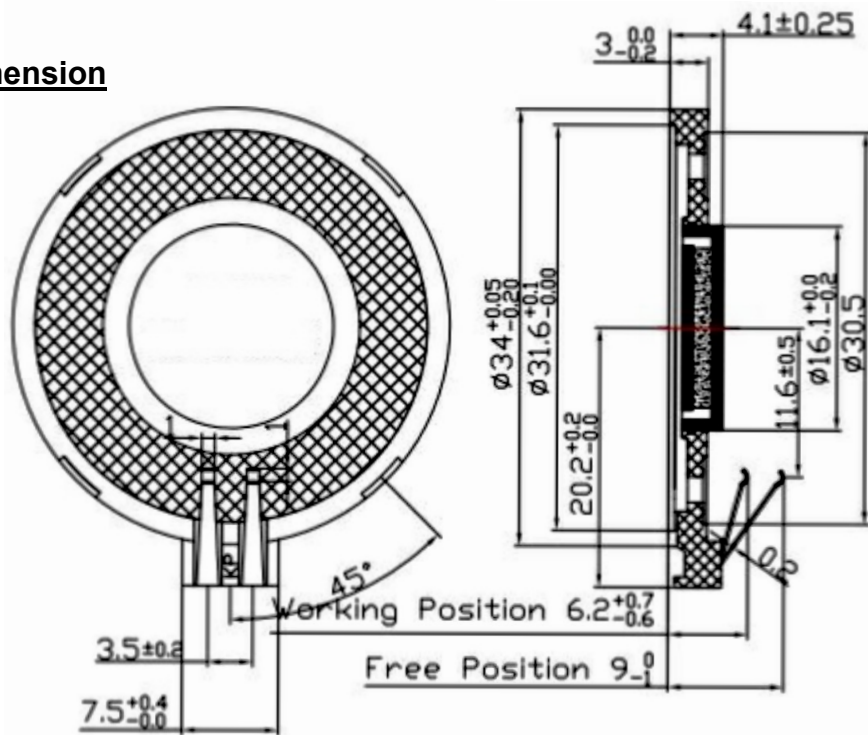


Dimension



Speaker

■CA-SM3441A

Specification

Dimension (mm)	$\varnothing 34 \times 4,1$
Rated Input Power (W)	0,3
Max. Input Power (W)	0,5
Impedance (Ω)	$50 \pm 15\%$
S.P.L. (dB)	72 ± 3
Frequency Range (Hz)	200 ~ 17.000
Reson. Frequency Fo (Hz)	$400 \pm 20\%$
Operating Temperature ($^{\circ}\text{C}$)	-40 to + 85
Storage Temperature ($^{\circ}\text{C}$)	-40 to + 90

Frequency response

