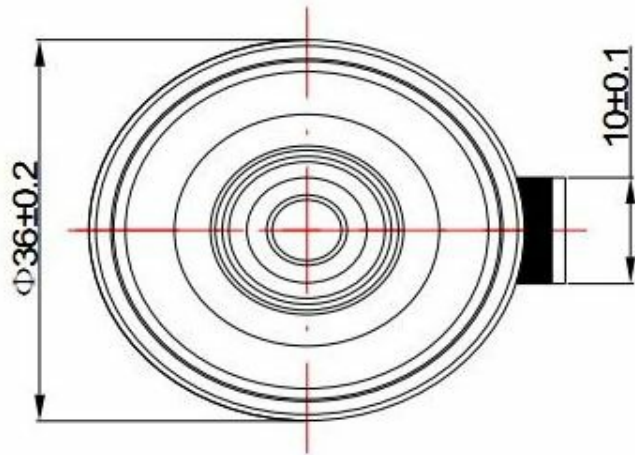


Dimension



Frequency response



Speaker

■ CA-SM3642B-50

Specification

Dimension (mm)	Ø36x5
Rated Input Power (W)	1,0
Max. Input Power (W)	1,4
Impedance (Ω)	50 ± 15%
S.P.L. (dB)	95 ± 3
Frequency Range (Hz)	F0 ~ 4000
Reson. Frequency Fo (Hz)	600 ± 20%
Operating Temperature (°C)	-40 to + 85
Storage Temperature (°C)	-40 to + 85