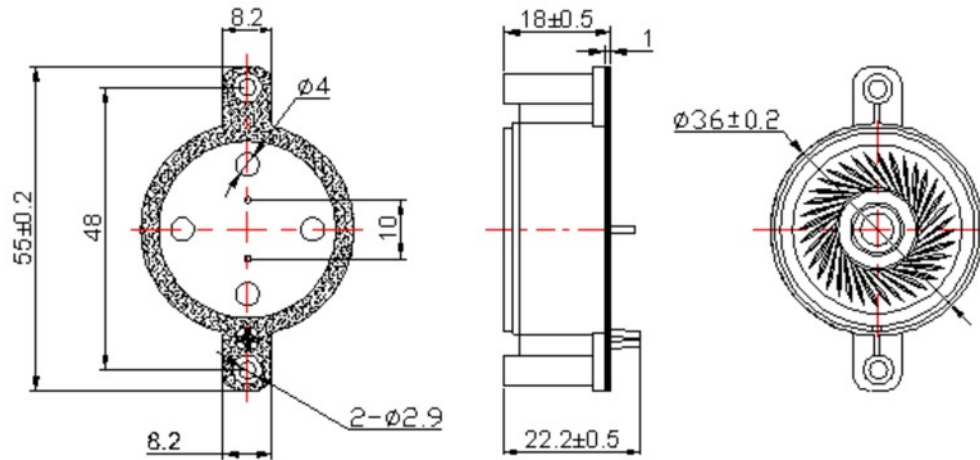
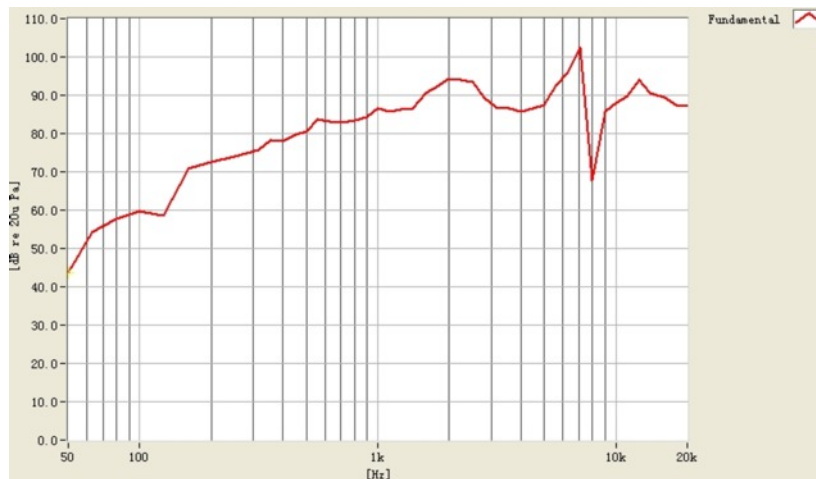


### Dimension



### Frequency response



### Speaker

#### ■ CA-SB3618A-08015EP

### Specification

Dimension (mm)	36x16mm
Rated/Max Input Power.	0.5W/1.0W
Impedance ( $\Omega$ )	$8\Omega \pm 15\%$
S.P.L. (dB)	86dB(1w/0.5m) $\pm 3$ dB at AVE 0.8K 1.0K 1.2K 1.5K Hz
FrequencyRange (Hz)	400Hz~10kHz.
Operating Temperature	-40C to +85C