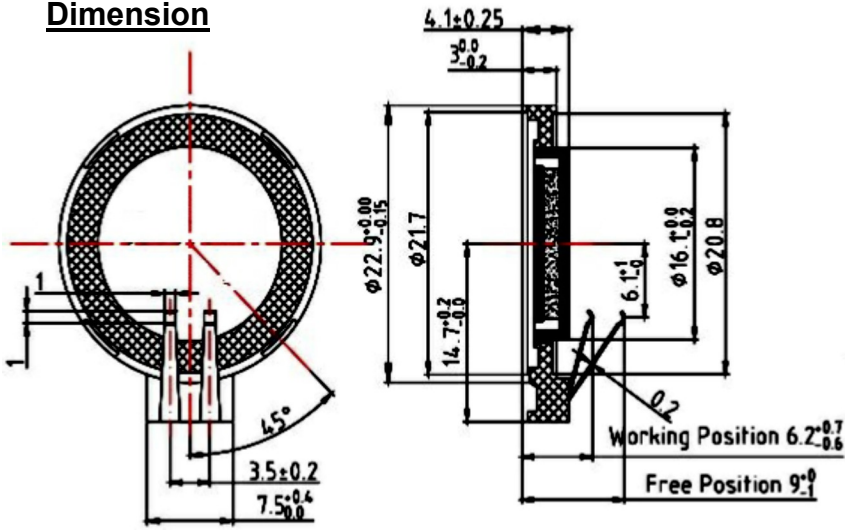


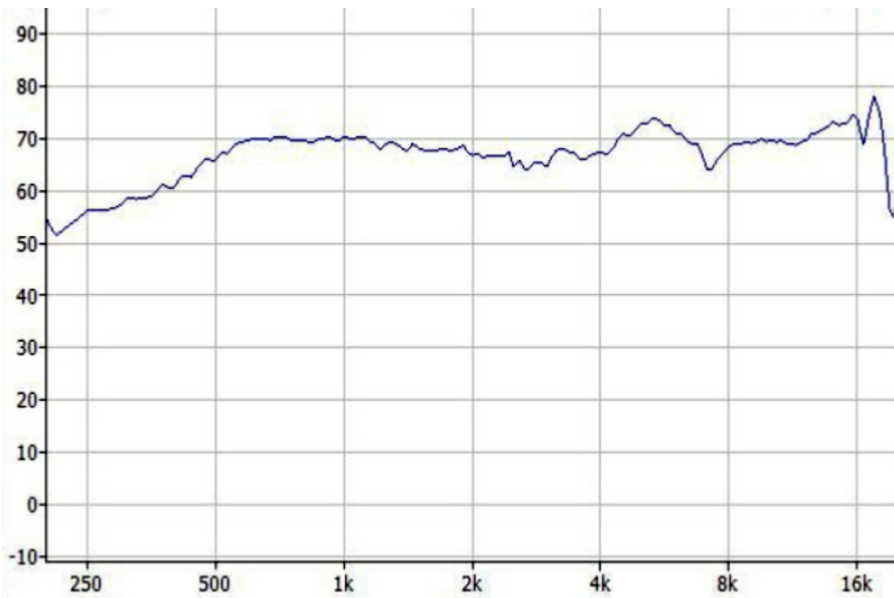
Dimension



Speaker

■ **CA-SM2341A**

Frequency response



Dimension (mm)	Ø23x4
Rated Input Power (W)	0,6
Max. Input Power (W)	1,0
Impedance (Ω)	50 ± 15%
S.P.L. (dB)	68 ± 3
Frequency Range (Hz)	300 ~ 20.000
Reson. Frequency Fo (Hz)	500 ± 20%
Operating Temperature (C)	-40 to + 85
Storage Temperature (C)	-40 to + 90