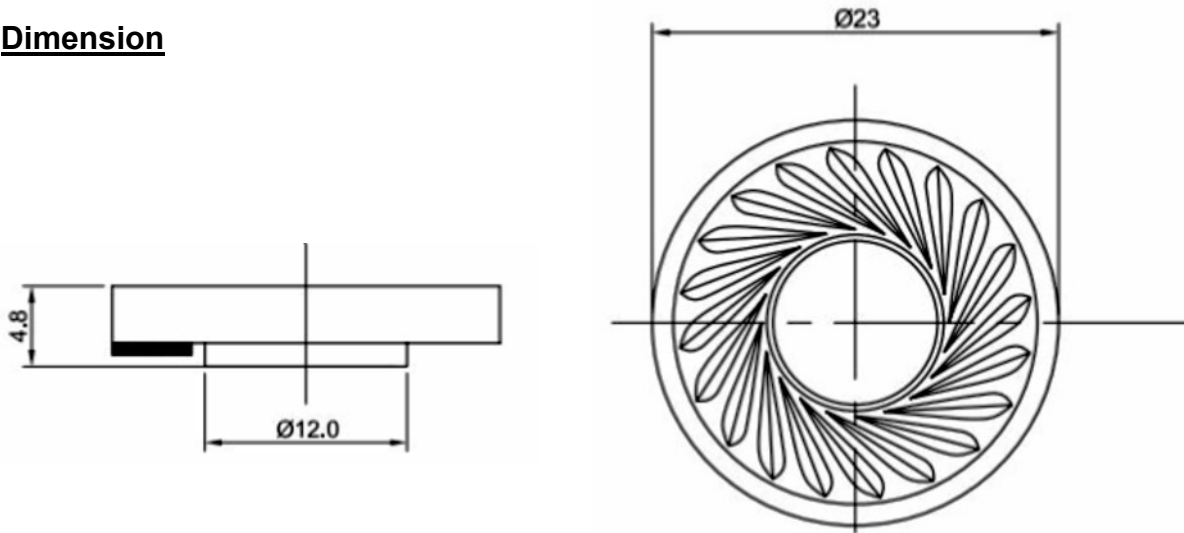


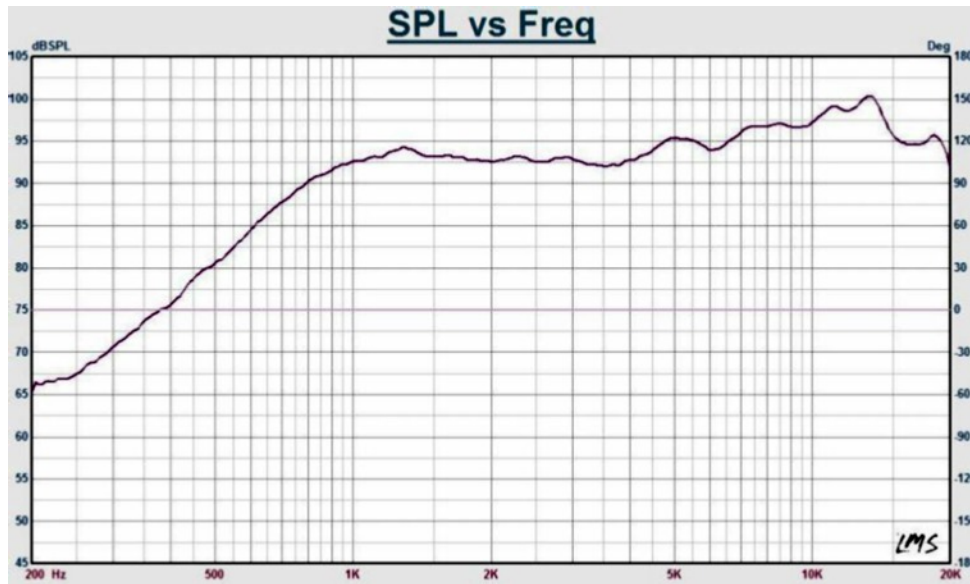
Dimension



Speaker

■ **CA-SM2344A**

Frequency response



Specification

Dimension (mm)	Ø23x4,8
Rated Input Power (W)	0,8
Max. Input Power (W)	1
Impedance (Ω)	8 ± 15%
S.P.L. (dB)	92 ± 3
Frequency Range (Hz)	F0 ~ 20.000
Reson. Frequency Fo (Hz)	900 ± 15%
Operating Temperature (C)	-25 to + 65
Storage Temperature (C)	-30 to + 70