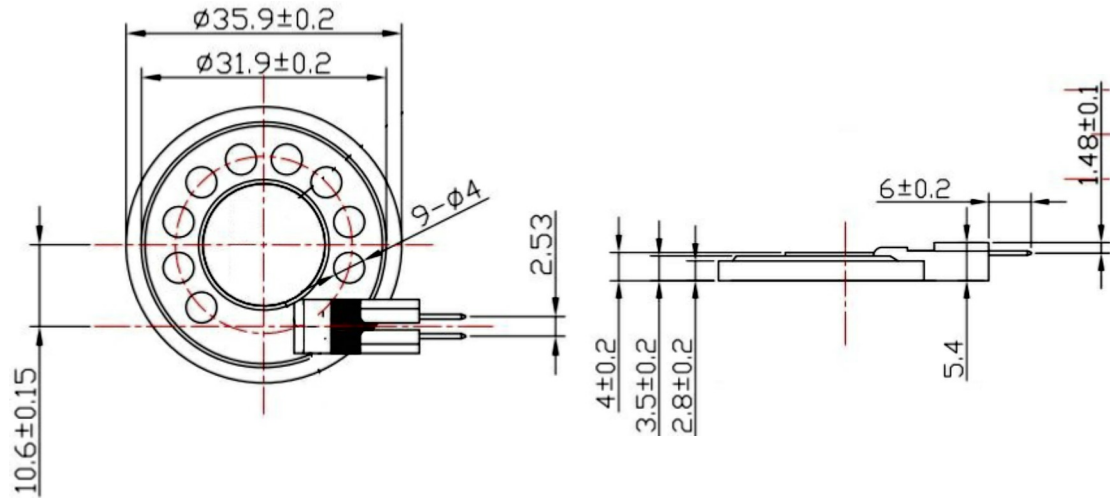
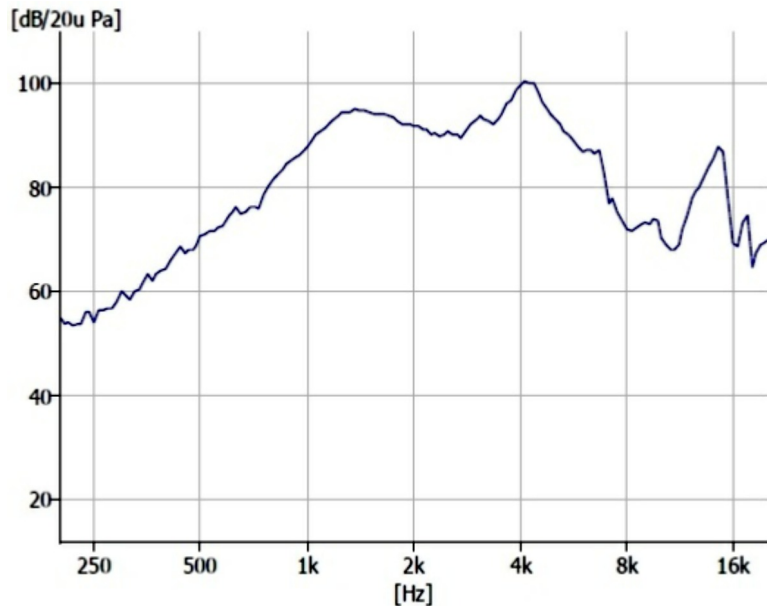


Dimension



Frequency response



Speaker

■ CA-SM3604A

Specification

Dimension (mm)	$\varnothing 36 \times 0,4$
Rated Input Power (W)	0,8
Max. Input Power (W)	1,2
Impedance (Ω)	$50 \pm 15\%$
S.P.L. (dB)	94 ± 3
Frequency Range (Hz)	F0 ~ 2000
Reson. Frequency Fo (Hz)	$560 \pm 20\%$
Operating Temperature ($^{\circ}\text{C}$)	-30 to + 70
Storage Temperature ($^{\circ}\text{C}$)	-30 to + 80