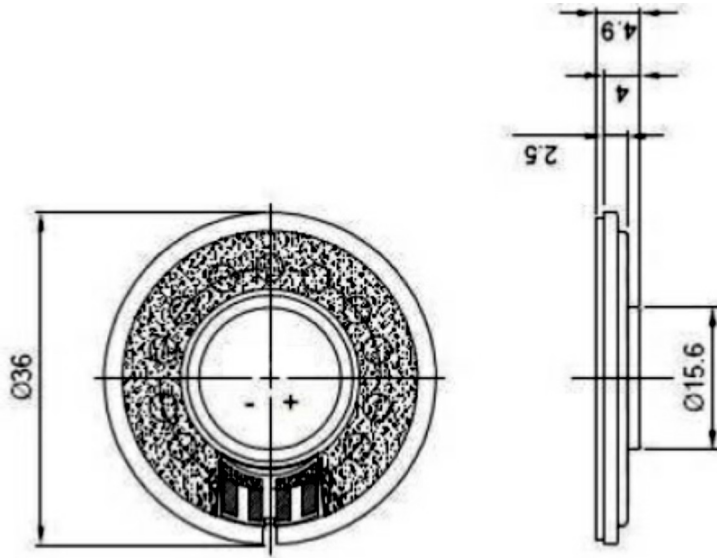
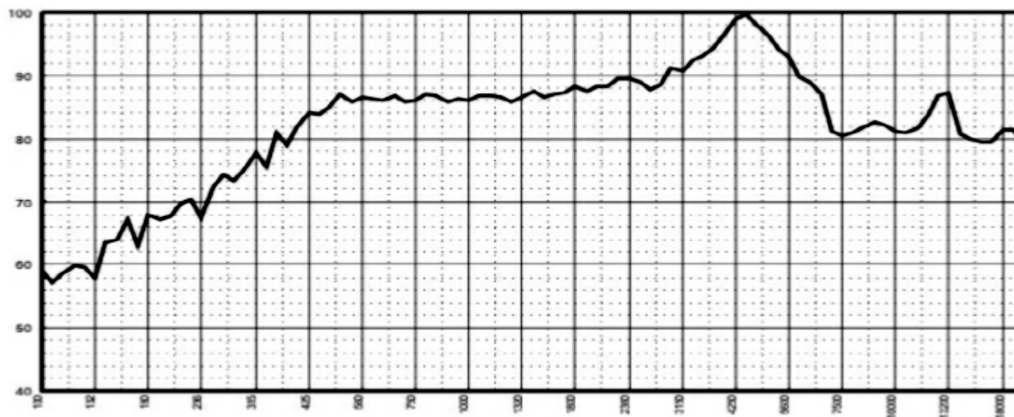


## Dimension



## Frequency response



## Speaker

### ■ CA-SM3642A

## Specification

Dimension (mm)	Ø36x4
Rated Input Power (W)	0,5
Max. Input Power (W)	1,0
Impedance (Ω)	8 ± 15%
S.P.L. (dB)	86 ± 3
Frequency Range (Hz)	F0 ~ 6000
Reson. Frequency Fo (Hz)	500 ± 20%
Operating Temperature (°C)	-30 to + 70
Storage Temperature (°C)	-30 to + 80