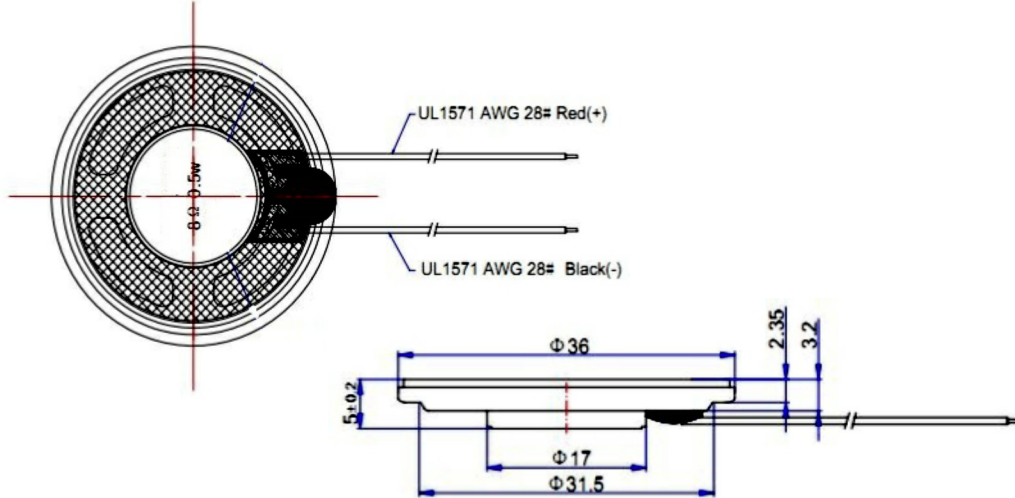
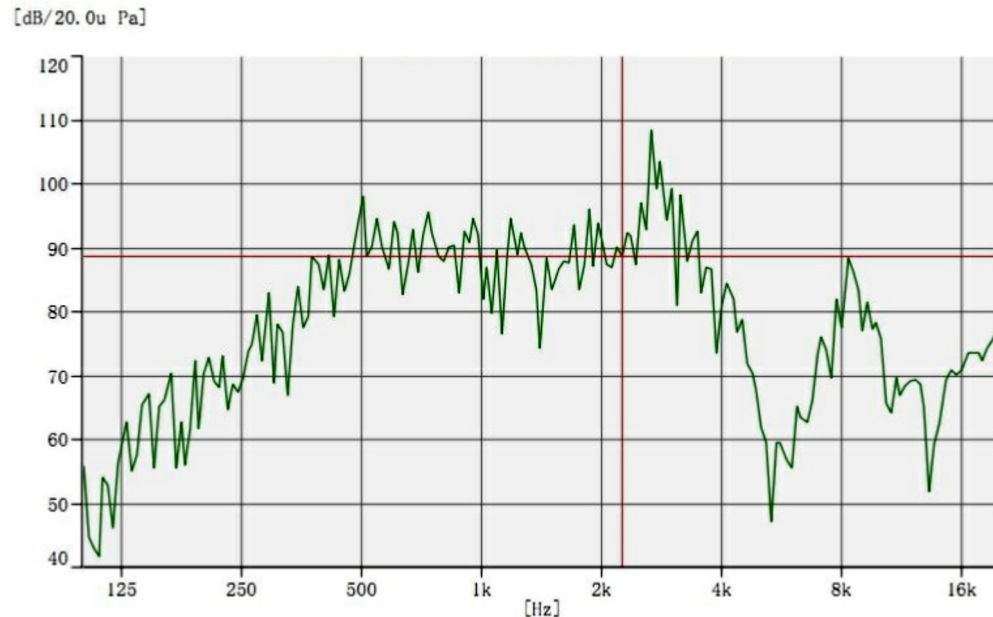


Dimension



Frequency response



Speaker

■ CA-SM3642B

Specification

Dimension (mm)	$\Phi 36 \times 5$
Rated Input Power (W)	0,5
Max. Input Power (W)	1,0
Impedance (Ω)	$8 \pm 15\%$
S.P.L. (dB)	87 ± 3
Frequency Range (Hz)	$F_0 \sim 10.000$
Reson. Frequency F_0 (Hz)	$500 \pm 20\%$
Operating Temperature ($^{\circ}\text{C}$)	-20 to + 60
Storage Temperature ($^{\circ}\text{C}$)	-30 to + 70