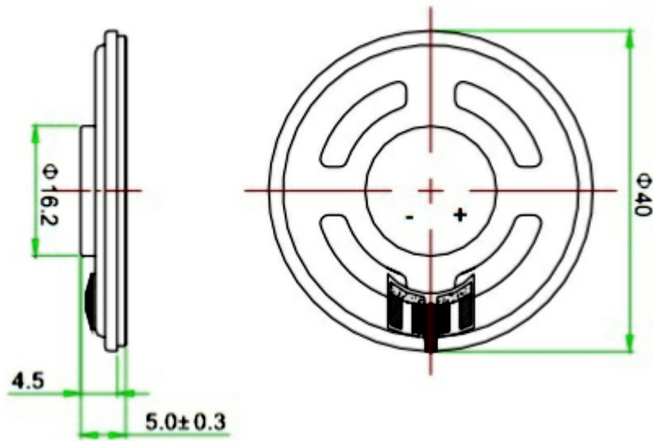
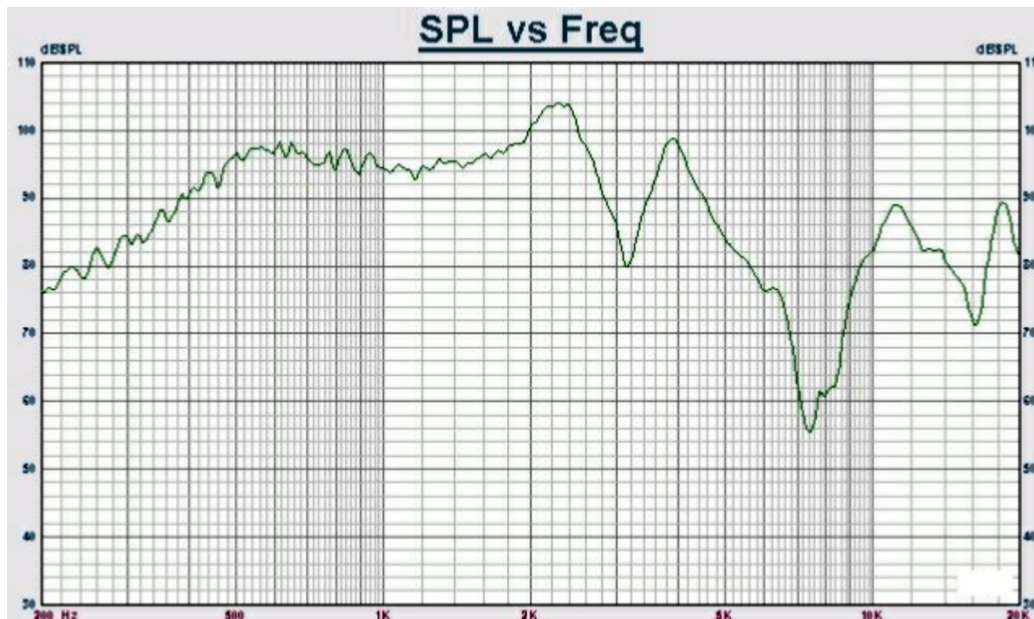


### Dimension



### Frequency response



### Speaker

#### ■ CA-SM4050A

### Specification

Dimension (mm)	$\phi 40 \times 5$
Rated Input Power (W)	1,0
Max. Input Power (W)	1,5
Impedance ( $\Omega$ )	$8 \pm 15\%$
S.P.L. (dB)	$85 \pm 3$
Frequency Range (Hz)	F0 ~ 20.000
Reson. Frequency Fo (Hz)	$600 \pm 20\%$
Operating Temperature ( $^{\circ}\text{C}$ )	-20 to + 60
Storage Temperature ( $^{\circ}\text{C}$ )	-30 to + 75