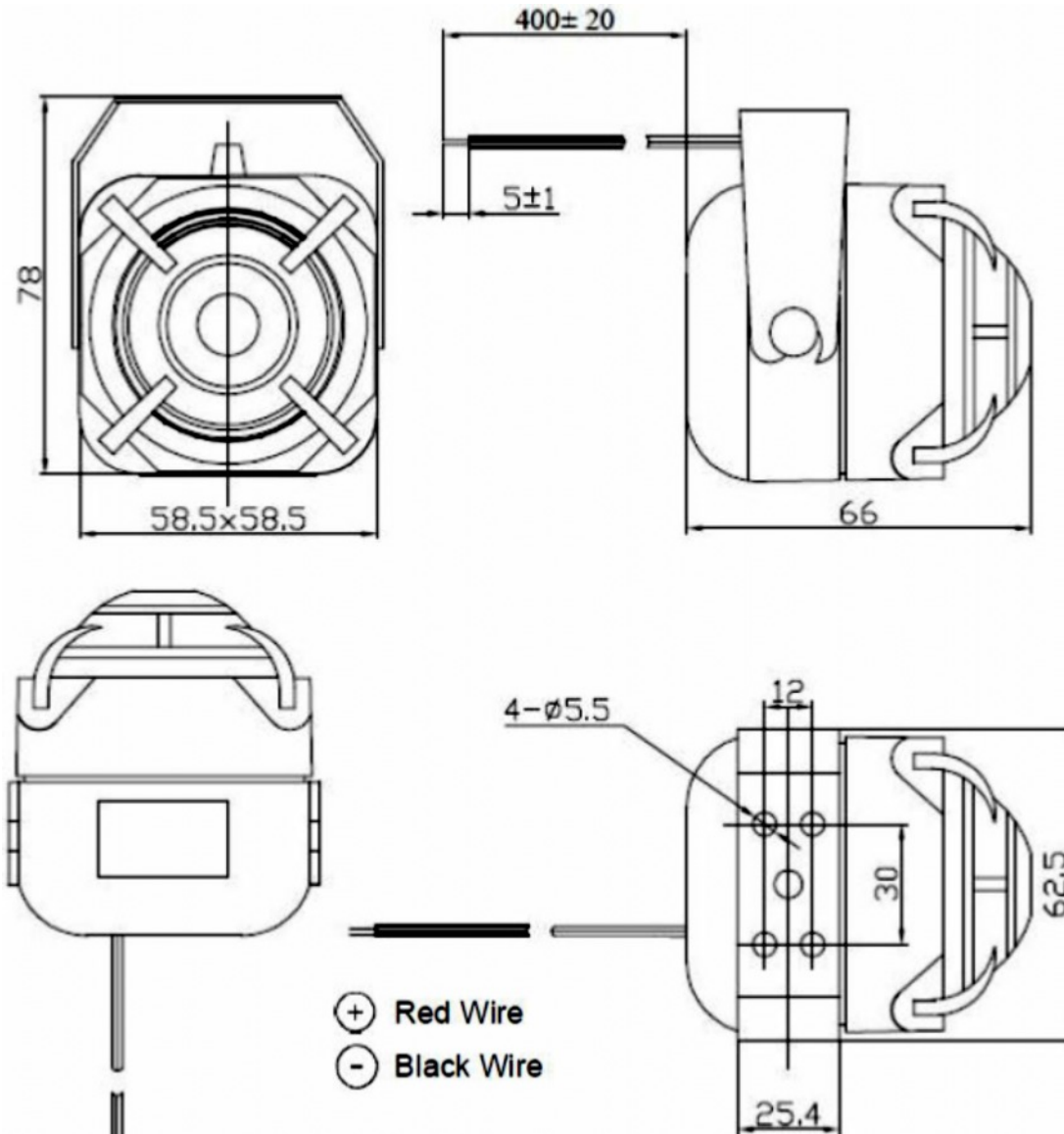


Dimension



Siren

CA-PS5962KI-12105W400

Specification

| | |
|----------------------------------|-----------|
| Resonant Frequency | 1,4-4KHz |
| Rated Voltage (VDC) | 12 |
| Max.Operating Voltage (VDC) | 6-12VDC |
| S.P.L. (dB Distance at 100cm) | 105 |
| Tone nature | Siren |
| Current Consumption (mA) | 750 |
| Operating Temperature Range (°C) | -30 ~ +70 |
| Storage Temperature Range (°C) | -30 ~ +70 |