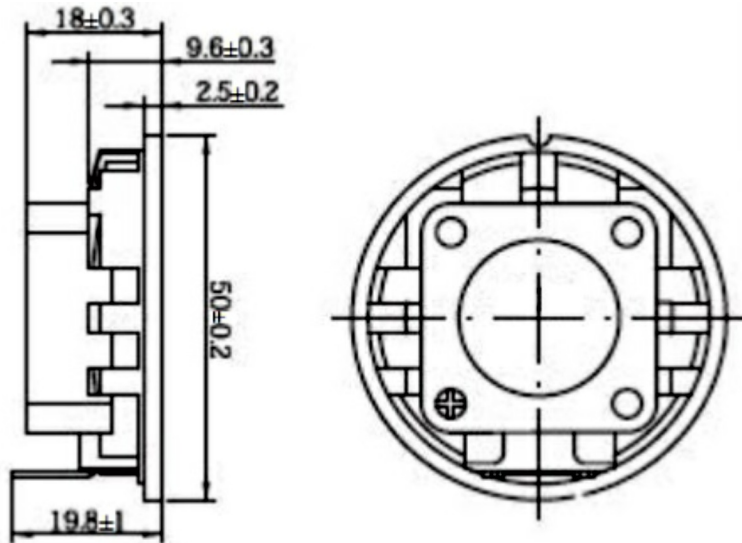
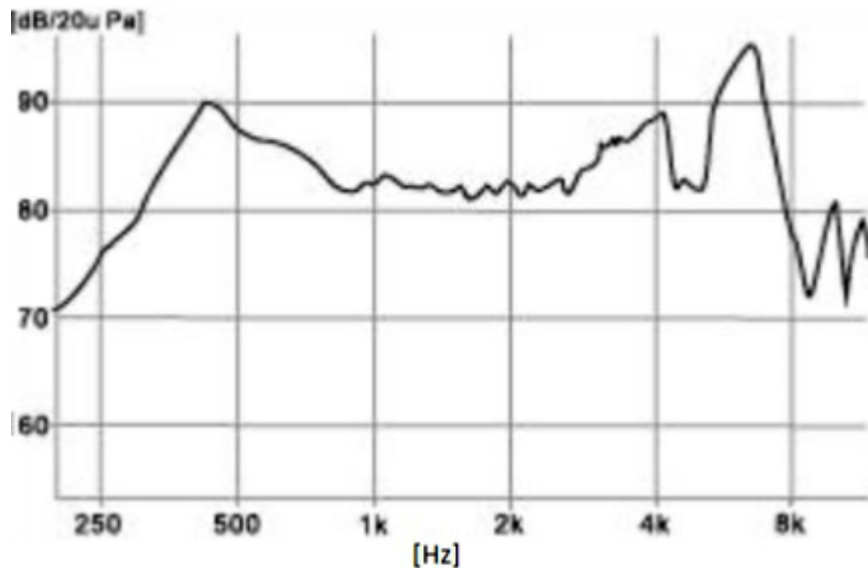


Dimension



Frequency response



This specification is subject to change without notice!

Speaker

■ CA-SM5018A

Specification

Dimension (mm)	Ø50x18
Rated Input Power (W)	2,0
Max. Input Power (W)	3,0
Impedance (Ω)	$8 \pm 15\%$
S.P.L. (dB)	83 ± 3
Frequency Range (Hz)	F0 ~ 8.000
Reson. Frequency Fo (Hz)	$400 \pm 20\%$
Operating Temperature (°C)	-20 to + 55
Storage Temperature (°C)	-25 to + 60