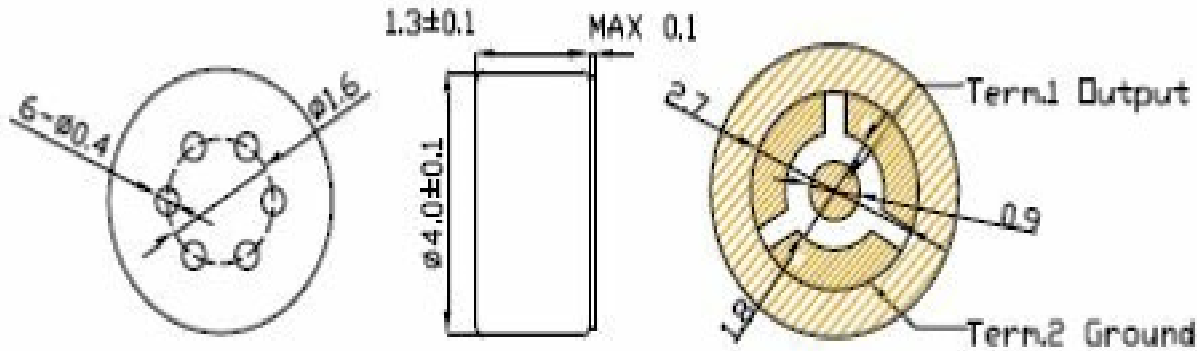


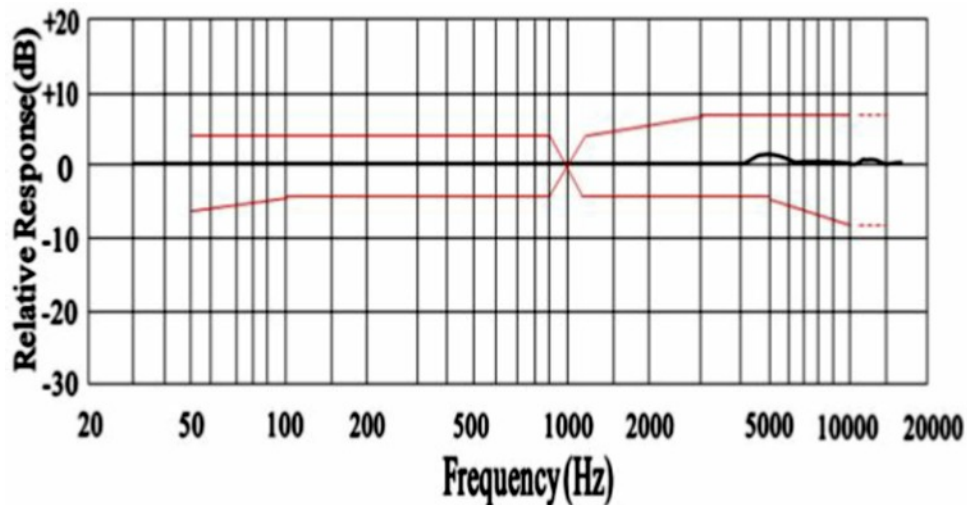
Dimension



Microphone

■ CA-MIC4013A

Frequency response



Specification

Directivity	omni
Sensitivity (dB)	-42
Signal to Noise Ratio (dB)	58
Max. Current (mA)	0,5
Output Impedance (kΩ)	2,2
Rated Voltage (V)	2
Temperature Range (°C)	-40 ~ +85