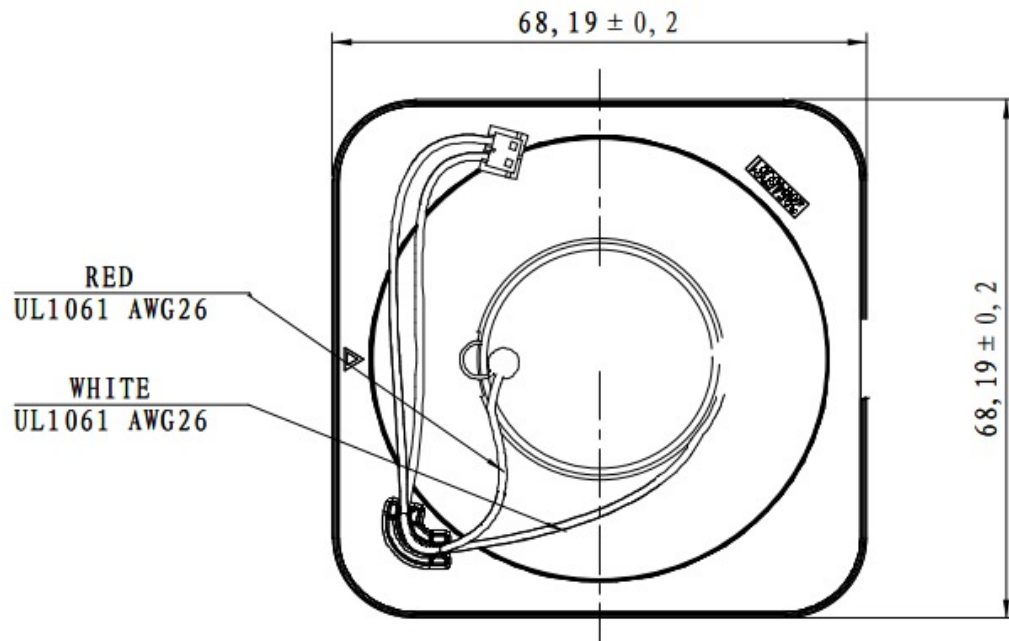


Dimension



Piezo Alarm

■ CA-P686815A

Feature

- Piezoelectric sounder
- Application: automotive, industrial

Specification

Dimension (mm)	68x68x15mm
max Input Voltage (Vpp)	60Vpp square wave
S.P.L. (dB)	> 105dB/3Vp-p square /2.9KHz/10cm ≥105dB /200cm with housing
Temperature Range (C)	-40 to + 80