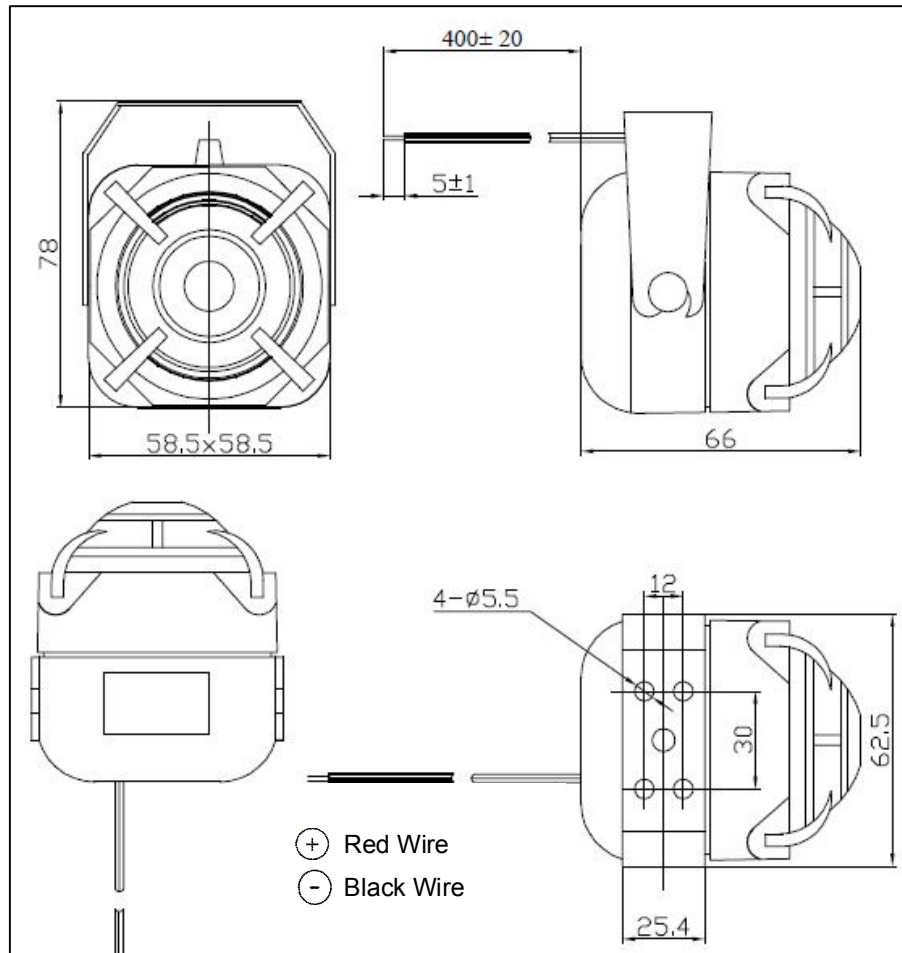


# Siren CA-SS5962G

## Specifications:

Operating Temperature Range	-20°C to +60°C
Storage Temperature Range	-30°C to +70°C
Rated Voltage	12VDC
Operating Voltage	6VDC to 14VDC
Power Rating RMS	15W
Power Rating Peak	20W
Max. Rated Current	750mA / 12VDC
Min. Sound Pressure Level	105dB/12VDC/1m
Voice Coil Impedance	12 Ohm(at 1 KHz)
Tone Nature	Siren
Housing Material/Color	ABS/Black

## Dimensions:



Contitec Electronics Ltd.  
80829 München/Germany  
Tel. +49 89 99818630  
www.contitec.com

Contitec Electronics Ltd.  
20010 Marcello/Italy  
Tel. +36 02 9725 4269  
eMail: sales@contitec.com

Contitec Electronics Ltd.  
1182 Budapest/Hungary  
Tel. +36 309328266  
eMail: sales@contitec.com