



Contitec Electronics Ltd.
Schatzbogen 33
81829 München

Tel. +49 89 99 81 86 30
Fax. +49 89 3219 50 75
eMail: sales@contitec.com
web: www.contitec.com

Component Specification

Product : Speaker
Part Number : CA-SL4425A-0440E-W71C2
Drawing No : K041119


Content

1. General
2. Electrical & Acoustical Characteristics
3. Test Circuit
4. Frequency Response Curve
5. THD
6. Apperance
7. Dimension
8. Revision

Notes:

This specification is subject to change or withdrawel without notice

This part is RoHs 2011/65/EU compliant

	Part No.	Drawing No.	Page
	CA-SL4425-0440E-W71C2	K041119	2 / 6


1. General

Speaker highly suitable for industrial and automotive applications.

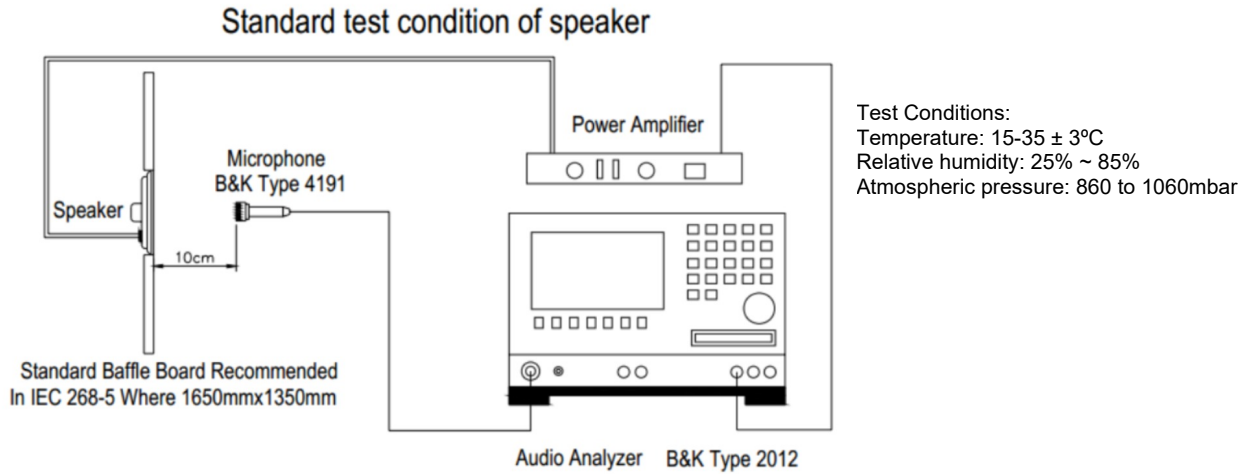
2. Electrical and Acoustic Characteristics

No	Items	Specification
1	Impedance	4Ω ± 20% (1Vrms at 600Hz at 20°C)
2	Sound Pressure Level	82dB ± 2dB 1W/1M average at 500, 800, 1500, 2000 Hz at 20°C
3	Resonance Frequency	260Hz ± 20%
4	Frequency Range	Fo~10KHz
5	Input Power	Rated 4.0W / Max. 8W
6	Distortion	<2.5% Max. At 1W (2V)
7	Buzz and Rattle	Should not be audible buzzes, rattles when the 4V sine wave signal swept at frequency range.
8	Polarity	When supplied plus D.C. Voltage to (+) terminal, the cone diaphragm must move to forward.
9	Dimensions	Ø44 x 25mm
10	Weight	45g
11	Operating Temperature range	-40~+85 °C
12	Store Temperature range	-40~+90 °C
13	Waterproof	IP52

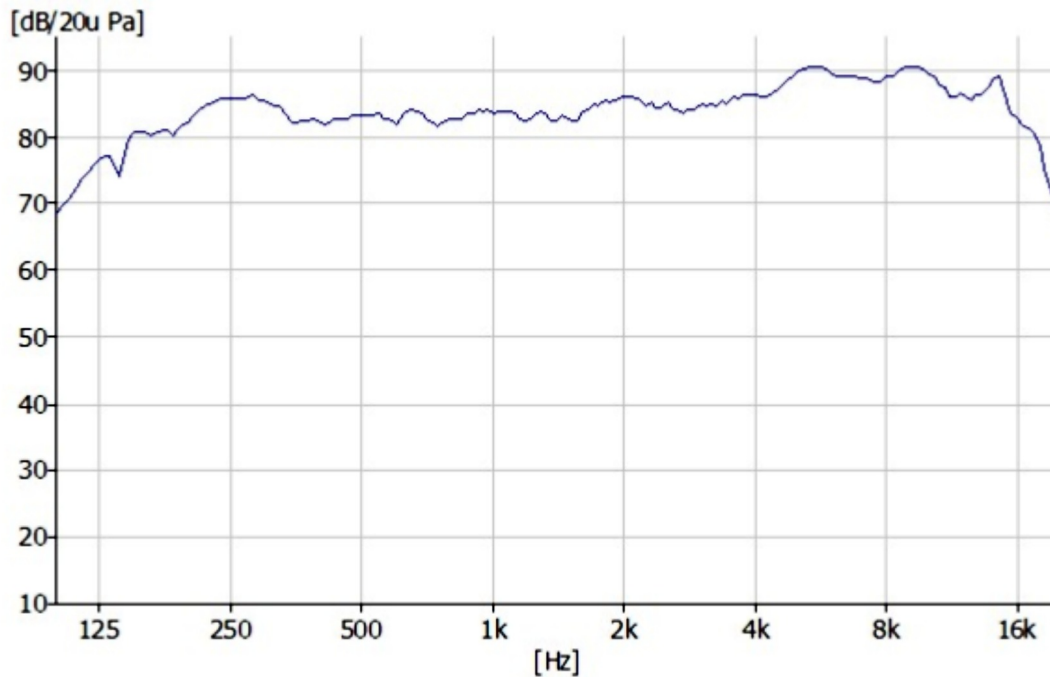
1.0	16/10/15	Preliminary	L. Chen	S. Ge	G. Schubert
Revision	Date	Note	Drawn by	Checked by	Approved by

	Part No.	Drawing No.	Page
	CA-SL4425-0440E-W71C2	K041119	3 / 6

3. Test Circuit

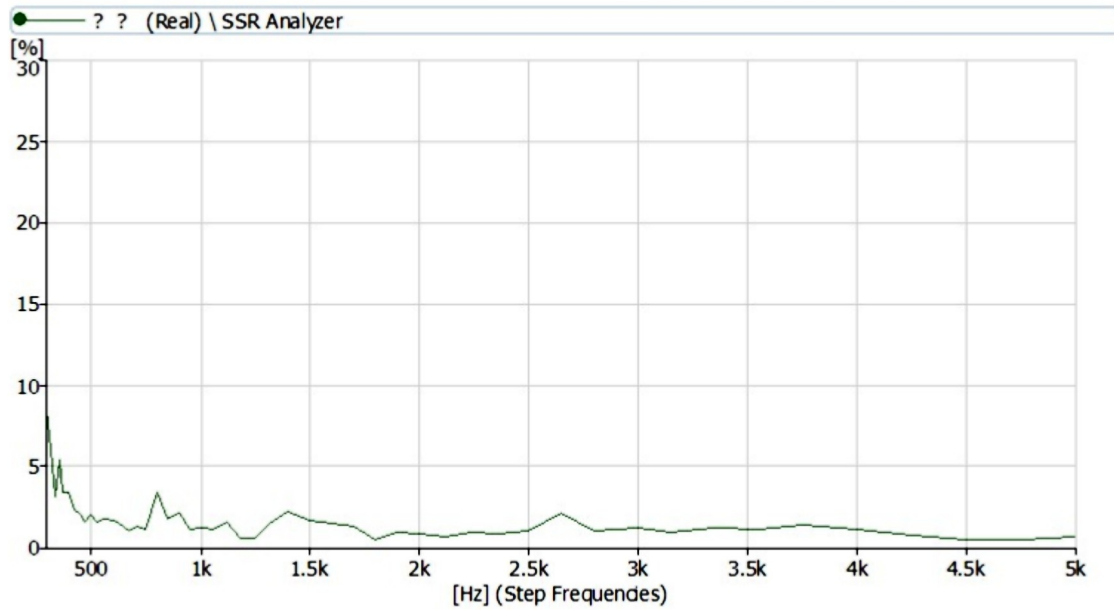


4. Frequency Response Curve

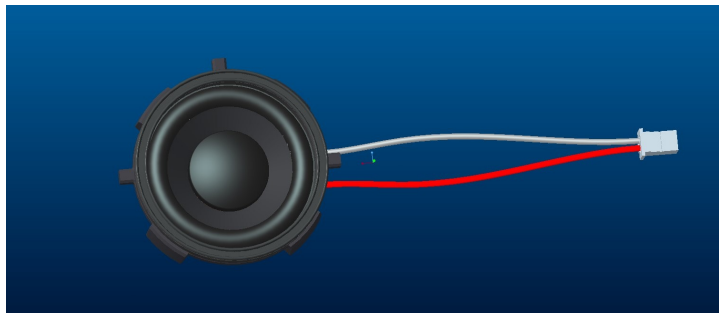
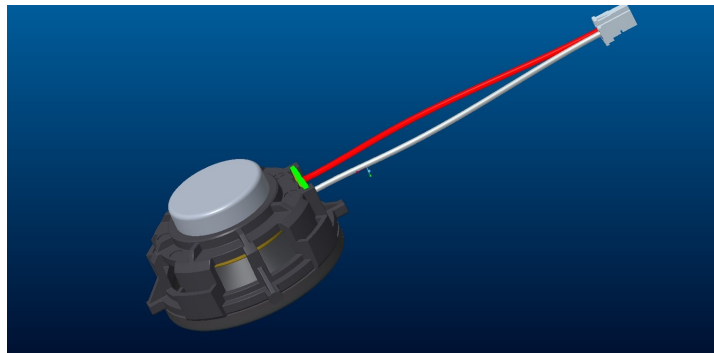


1.0	06/01/19	Preliminary	L. Chen	S. Ge	G. Schubert
Revision	Date	Notes	Drawn by	Checked by	Approved by

5. THD

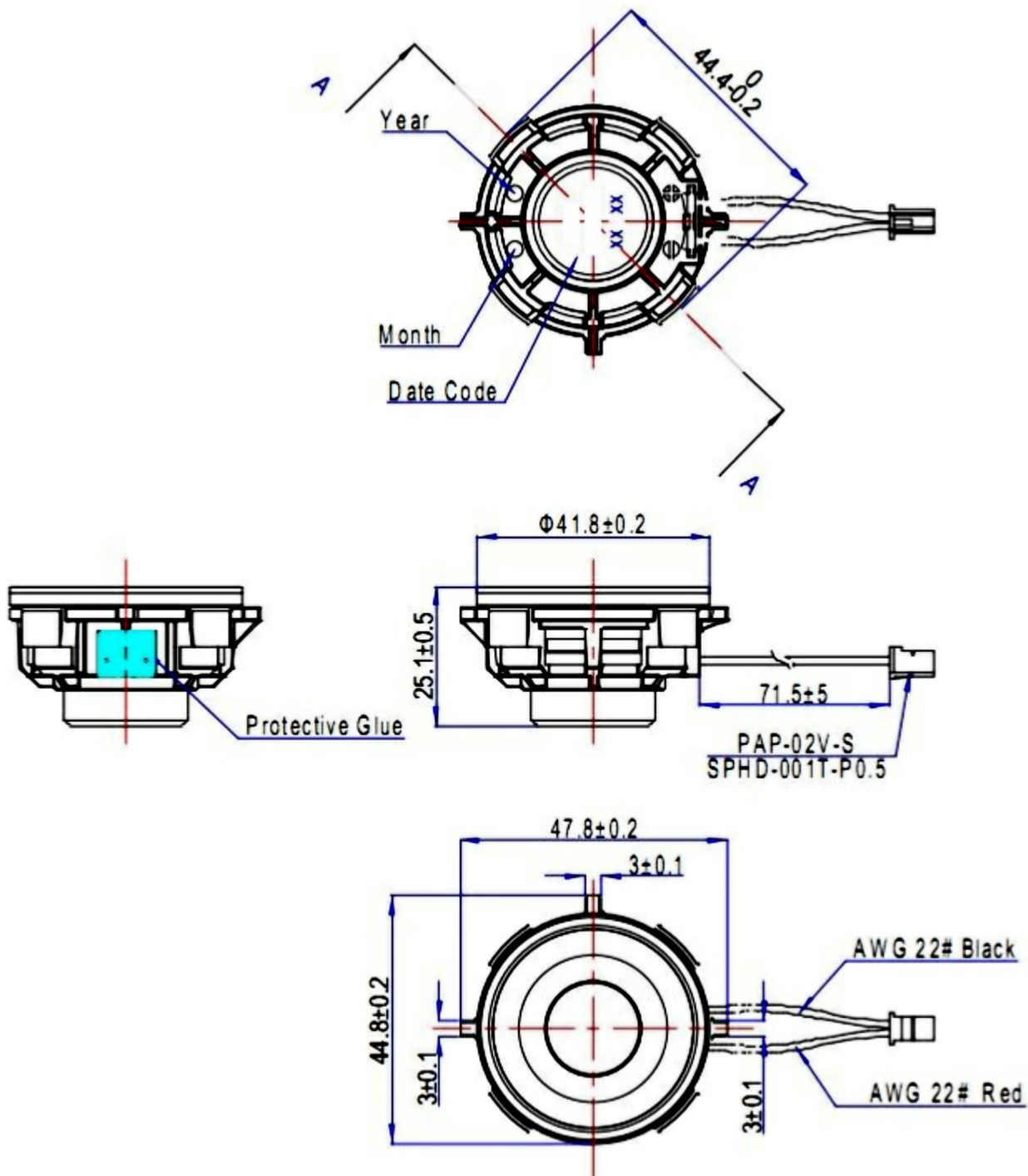


6. Apperance



1.0	06/01/19	Preliminary	L. Chen	S. Ge	G. Schubert
Revision	Date	Notes	Drawn by	Checked by	Approved by

7. Dimension



Revision	Date	Notes	Drawn by	Checked by	Approved by
1.0	06/01/19	Preliminary	L. Chen	S. Ge	G. Schubert

