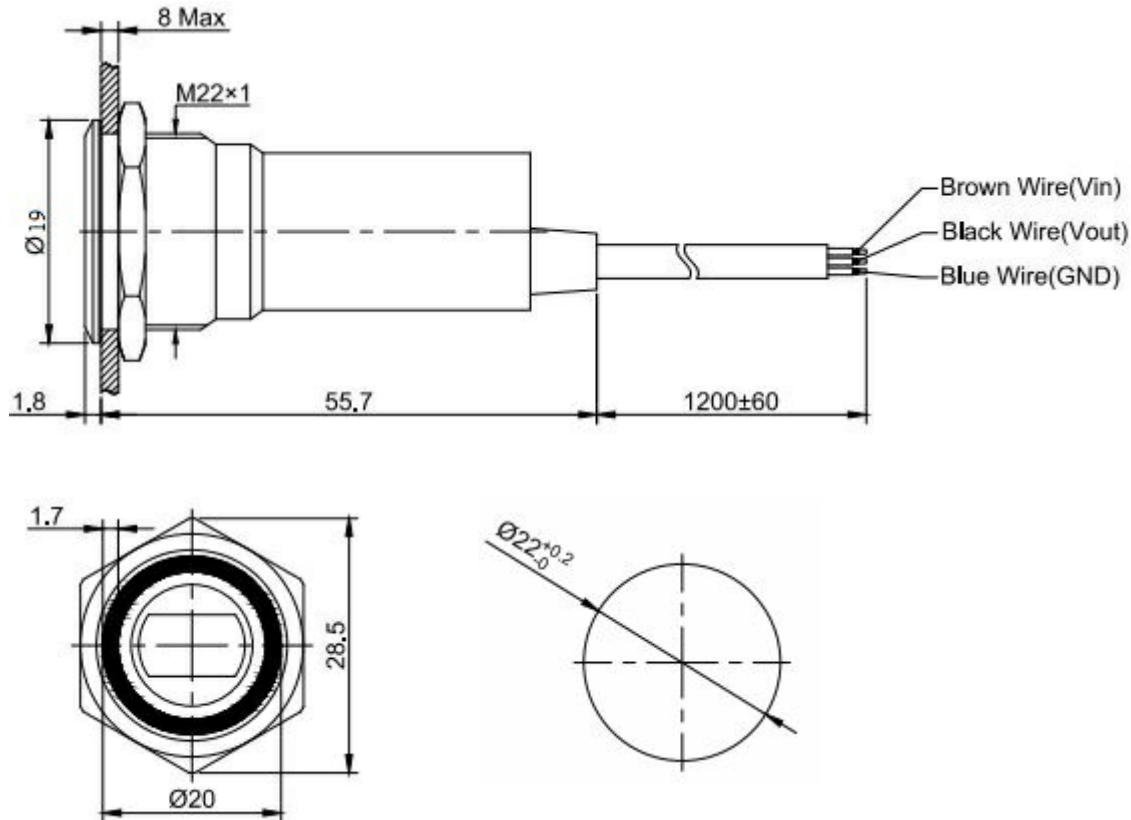


## Dimension



## Contactless Switch

### ■ CPO19xx

## Specification

Diameter	19mm
Type	Contactless
Operation Mode	No Momentary
Switch Rating	DC6 - 24V / 300mA
Insulation Resistance	≥1.000MΩ
Current Rating (A)	0,3
Dielectric Strength	1.500V, RMS 50Hz, 1Min
Reaction Distance	2 - 15cm
Operating Temperature	-15°C ~ +55°C