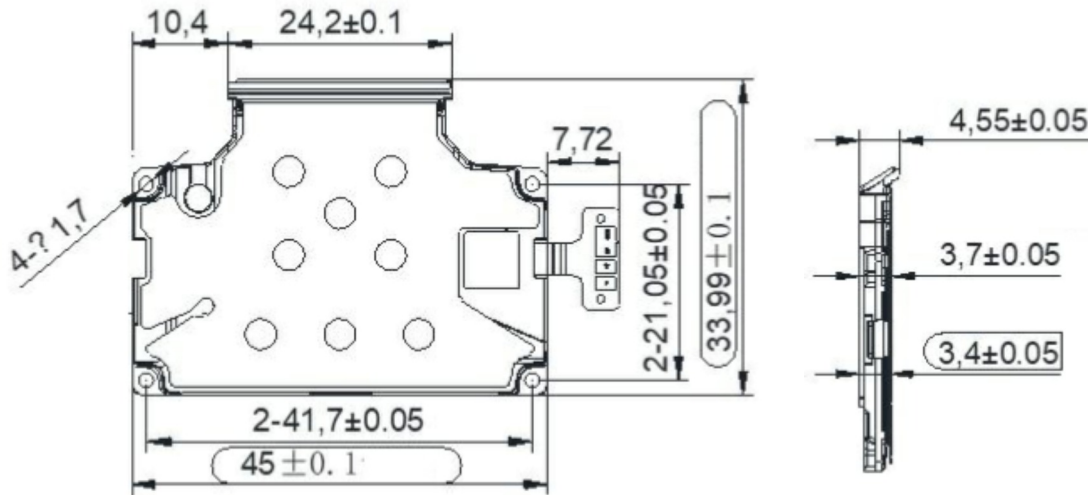
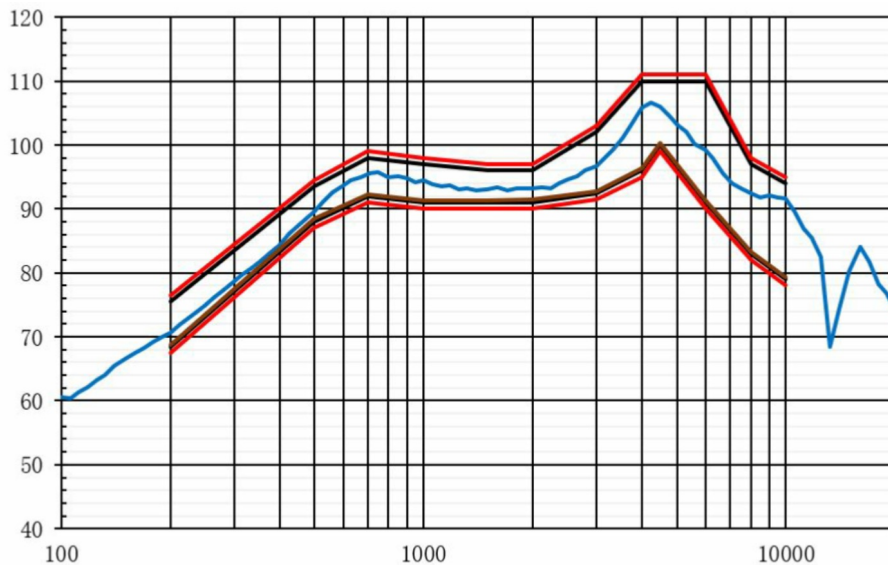


Dimension



Frequency response



This specification is subject to change without notice!

Speaker

■ CA-SB1620BF

Specification

Dimension (mm)	45 x 39.99 x 3.4
Rated Input Power (W)	1,0
Max. Input Power (W)	1,5
Impedance (Ω)	8 ± 15%
S.P.L. (dB)	90 ± 2,5 at 500 Hz, 1W 93,5 ± 3 at 2000 Hz, 1W
Frequency Range (Hz)	F0 ~ 10.000
Reson. Frequency Fo (Hz)	630 ± 50
Storage Temperature (°C)	-40 to +70
Operating Temperature (°C)	-25 to +55