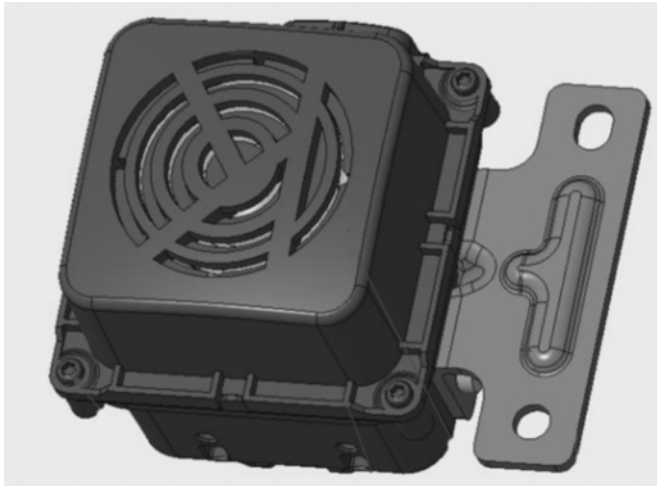
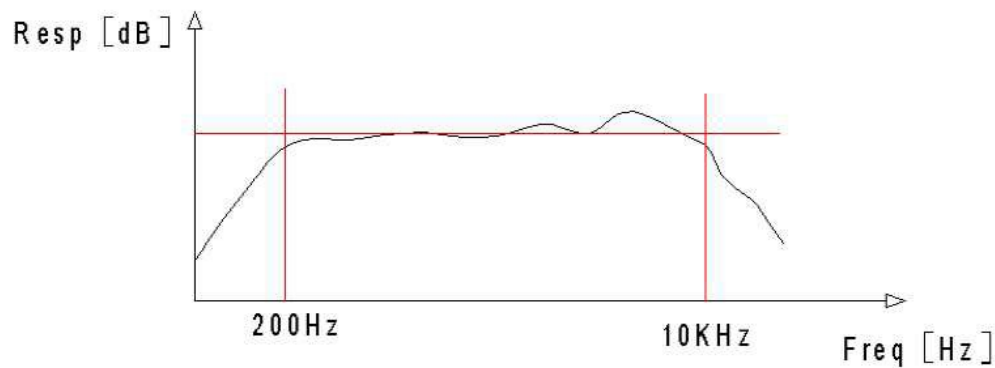


Dimension



Frequency response



AVAS Box

■ CA-AVBX300A

This AVAS Box consist of Front Cover + Speaker + Back Cover. The housing box can be customized.

PRELIMINARY

Dimension (mm)	85x71x72
Rated Input Power (W)	3 (5)
Max. Input Power (W)	7,0
Impedance (Ω)	$8 \pm 15\%$
S.P.L. (DB) at 2m,1KHz	75 ± 3
Rated Voltage (VDC)	12,0
Distortion	< 5 %
Frequency range (Hz)	160- 10000
Operating Temperature ($^{\circ}\text{C}$)	-40 to + 85