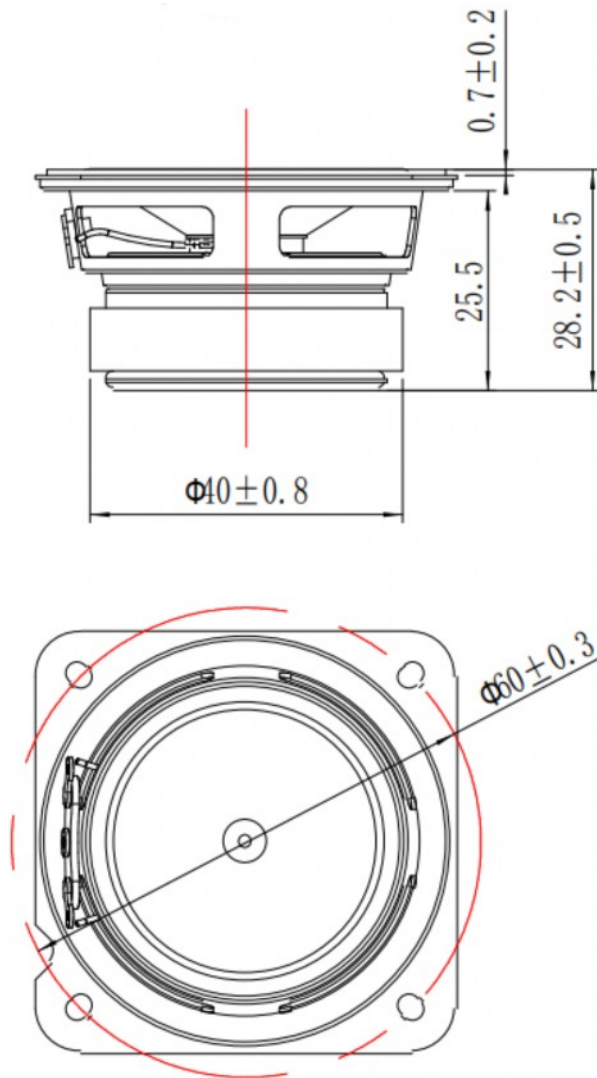


Dimensions



AVAS Speaker

■ CA-AVSP6028A

This speaker is dedicated for AVAS applications

PRELIMINARY

Dimension Φ (mm)	60,0
Rated Input Power (W)	4,0
Max. Input Power (W)	9,0
Impedance (Ω)	$8 \pm 20\%$
S.P.L. (DB) at 1m,1W	80 ± 3
Rated Voltage (VDC)	12,0
Distortion	< 2,5% at 1W
F0(Hz)	$260\text{Hz} \pm 20\%$
Frequency range (Hz)	Fo -10 KHz
Operating Temperature ($^{\circ}\text{C}$)	-40 to + 85
Waterproof	IP67