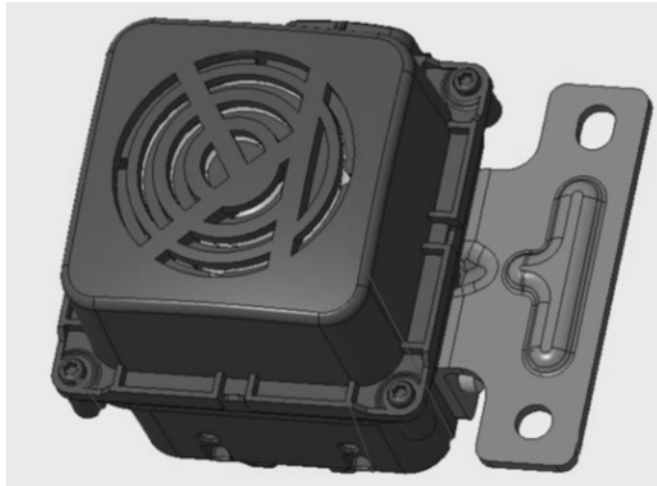
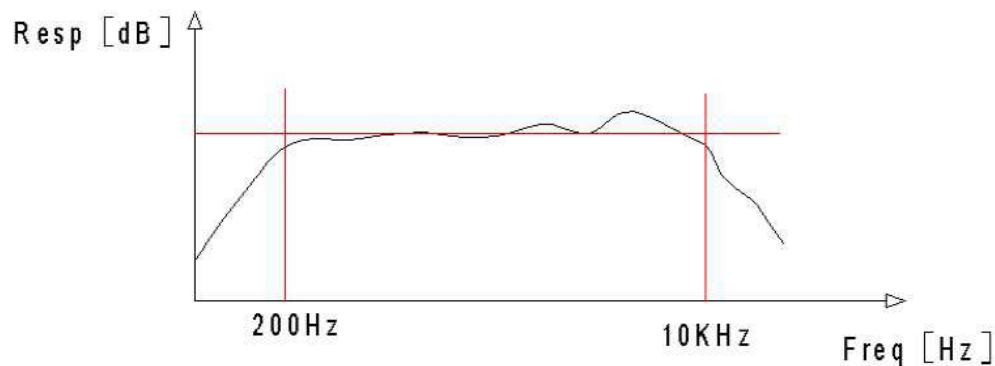


## Dimension



## Frequency response



## AVAS System

### ■ CA-AV0073A

This AVAS system consist of a standard Housing + Speaker+ Electronic Control Unit. The solution allows to implement customized sound, CAN Matrix / DBC data etc.

#### PRELIMINARY

Dimension (mm)	85x71x72
Rated Input Power (W)	3 (5)
Max. Input Power (W)	7,0
Impedance ( $\Omega$ )	$8 \pm 15\%$
S.P.L. (DB) at 2m,1KHz	$75 \pm 3$
Rated Voltage (VDC)	12,0
CAN communication rate	500kbs & 125kbs ISO11898-2
CAN diagnostic	according ISO14229
Standards compliant with	EU540/2014 ECE R138
Operating Temperature ( $^{\circ}\text{C}$ )	-40 to + 85