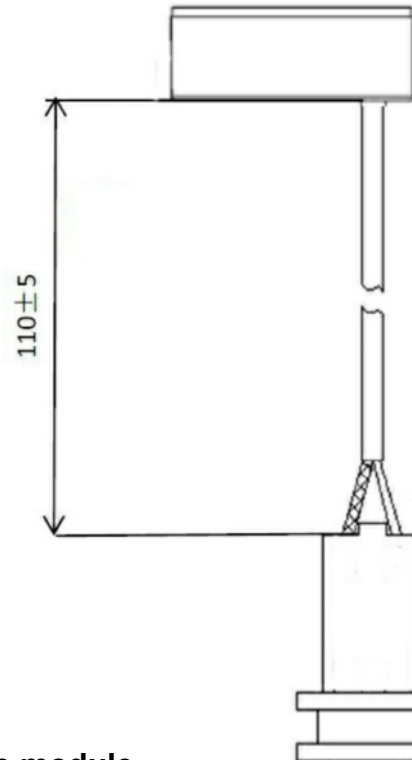
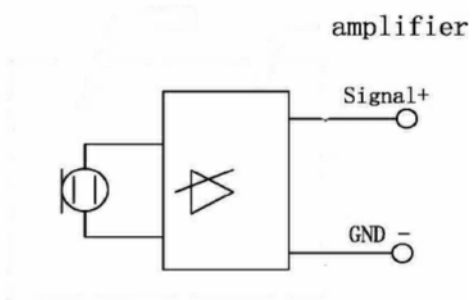


Dimension



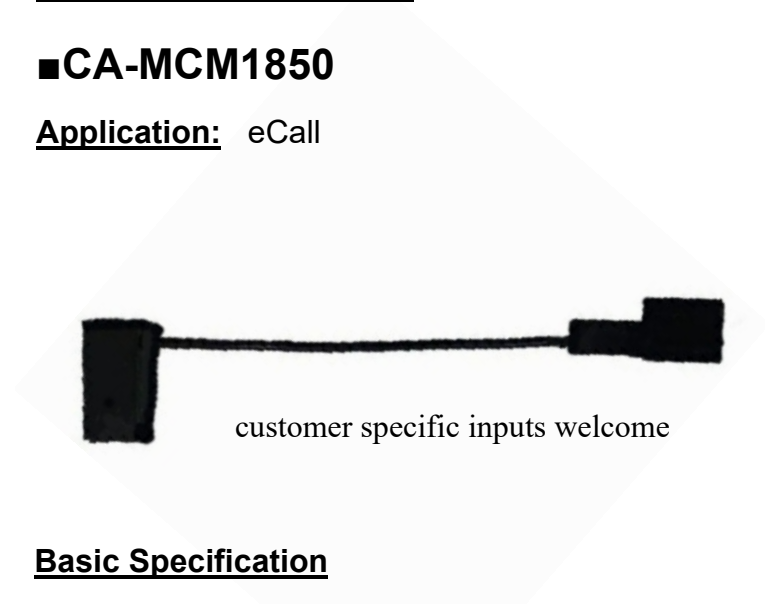
Circuit Diagram Microphone module



Microphone Module

■ CA-MCM1850

Application: eCall



Basic Specification

Directivity	Unidirectional
Sensitivity (dB)	$-10,8 \pm 3$
Max. Input S.P.L (dB)	98
Max. Current (mA)	15,0
Standard Operating Voltage (V.D.C)	12,0
Operating Temperature Range (°C)	$-30 \sim +80$
Store Temperature Range (°C)	$-40 \sim +85$