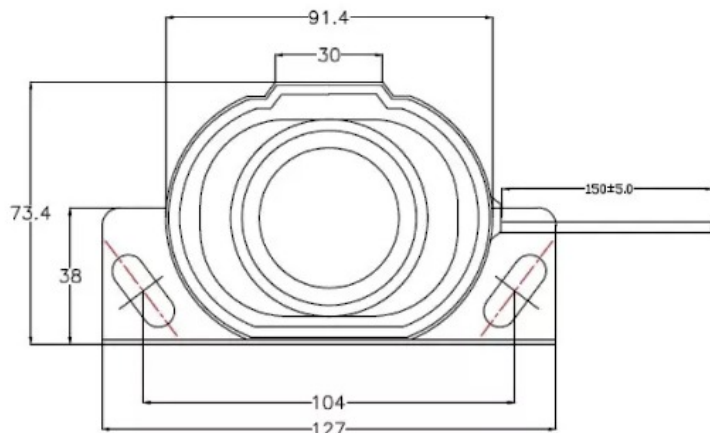
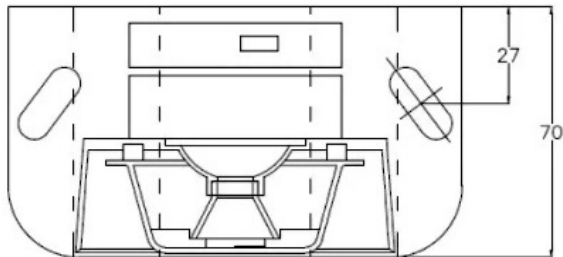




Dimension



Revers Alarm

■ CA-RA917370A-20T

Features

- Revers alarm for automotive applications
- Sound types supported are beep/ white noise/ voice

Specification

| | |
|--------------------------|--------------|
| Dimension (mm) | 91.4x73.4x70 |
| Rated Input Power (W) | 20 (25) |
| Rated Voltage (VDC) | 12 -48 |
| S.P.L. at 1M (dB) | 112dB±3dB |
| Resonance Frequency (Fo) | 1300±20%Hz |
| Protection degree | IP67 /IP68 |
| Temperature Range (C) | -40 to + 85 |