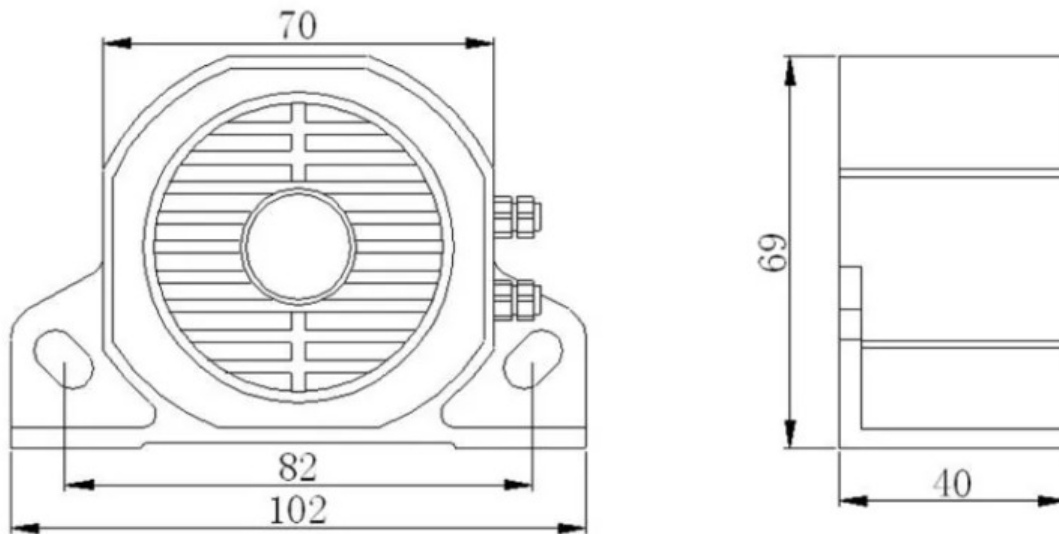




Dimension



Revers Alarm

■ CA-RA706940A-15X

Features

- Revers alarm for automotive application
- Sound types supported are beep/ white noise/ voice

Specification

Dimension (mm)	70x69x40
Rated Input Power (W)	15(20)
Rated Voltage (VDC)	12 -48
S.P.L. at 1M (dB)	102dB±3dB
Resonance Frequency (Hz)	1250
Protection degree	IP67 /IP68
Temperature Range (C)	-40 to + 85