



Contitec Components GmbH
Schatzbogen 33
81829 München
Tel. +49 89 99818630
email: sales@contitec.com
www.contitec.com

MICRO SWITCH
SEALED MICRO SWITCH

MWA Water Proof Series



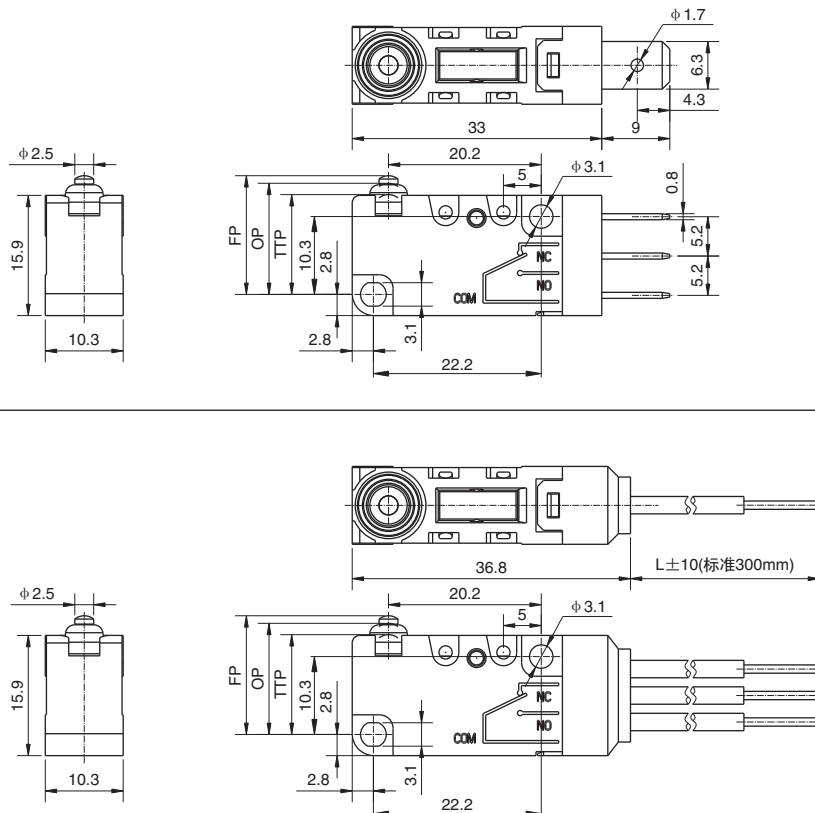
FEATURE

- Long Life and High Reliability
- Offer Variety Levers
- Terminal or Wire
- Waterproof(IP67)Design

APPLICATION

- Home Appliance
- Power transmission and distribution
- Automatic Equipments
- Auto Electronics
- Agricultural Machinery

OUTLINE DRAWING



SEALED MICRO SWITCH ❖❖

❖❖ PARAMETERS

Rated Load	16(8)A 125/250VAC 40T125 1E4&5E4 μ 10(3)A 125/250VAC 40T125 1E4&5E4 μ 5(3)A 125/250VAC 40T125 5E4 μ 0.1(0.05)A 125/250VAC 40T125 5E4 μ 1/2HP 125/250VAC 40T125 5E4 μ 10A 36VDC 5E4 μ	
Initial Contact Resistance	100m Ω Max	
Working Temperature	40T125	
Service Life	/Electrical	10,000 Cycles
	Mechanical	100,000 Cycles
Hole For Mounting	LEVER POSITION	

❖❖ ORDERING INSTRUCTION

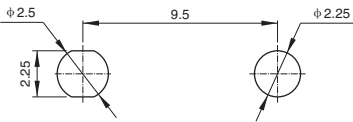
MWA-	R	A	2	N	00	300	F	-	0	
series	IP Grade	Circuit type	Load parameters	Lever position	Lever type	Operation force	Terminal type	Wire		
MWA	R	IP67	A	1	16(8)A 125/250VAC	N	00	A 187 T=0.5mm	0	Without a harness
					10(3)A 125/250VAC 5E4	A				
			B	2	10A 36VDC 5E4	B	01	B 187 T=0.5mm	W	With wire harness
					10(3)A 125/250VAC					
			C	3	5(3)A 125/250VAC 5E4	02	C 187 T=0.8mm			
					10A 36VDC 5E4					
				...	0.1A 125/250VAC 5E4	03	F 250 T=0.8mm			
				其它 Other						
					...	04	T T=0.8mm			
					...	05	...	其它 Other		
					...	06	...	其它 Other		
					...	Other				

More pressing rods, terminals and other accessories, Please contact us.

SEALED MICRO SWITCH ❖❖

❖❖ PARAMETERS

/Rated Load	3(3)A 250VAC T125 5E4	
	8(3)A 250VAC T125	
	10A 125VAC/5A 250VAC	
	1/3HP 250VAC	
/Initial Contact Resistance	100mΩ Max	
/Working Temperature	25T125	
/Service Life	/Electrical	10,000 Cycles
	/Mechanical	100,000 Cycles
/Hole	For Mounting	

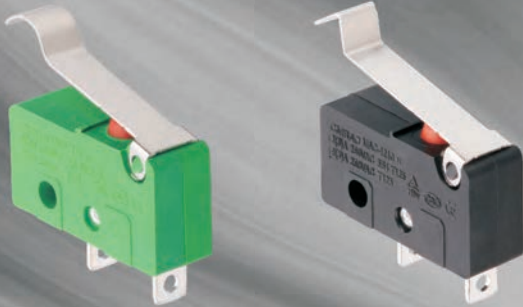


❖❖ ORDERING INSTRUCTION

MWC	R	A	L	N	00	300	A	A	-	0
series	IP Grade	Circuit type	Load parameters	Lever position	Lever type	Operation force	Base type	Terminal type	Wire	
MWC	R	IP67	A 	L 3(3)A 250VAC	N 	00 	050 50gf	A 	A 	0 Without a harness
		B 	H 10A 125VAC/ 5A 250VAC	A 	01 	150 150gf	B 	... Other	W With wire harness	
		C 			02 	300 300gf	... Other			
					03 	... Other				
					... Other					

For more lever,terminal,mounting holes options, please contact us.

MDC Dust proof Series



❖ FEATURE

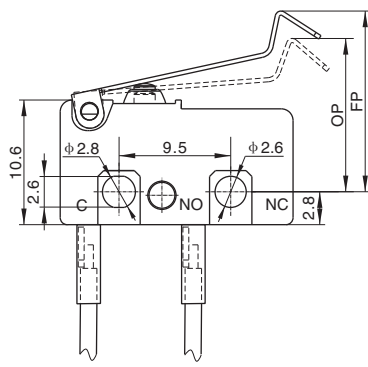
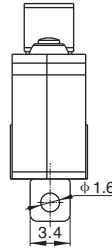
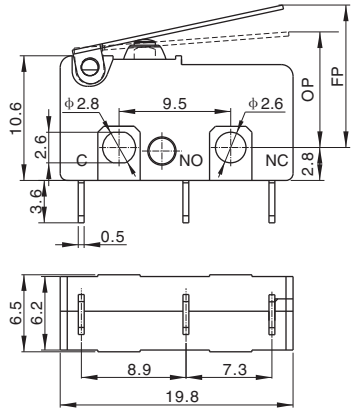
- Designed For Dustproof IP60
- Small Compact Size
- Switch Safety Approvals
- Long Life and High Reliability
- Offer Various Levers
- Complete Variety of Wiring Terminal

Various Dimensions Satisfy Different Installation Requirements

❖ APPLICATION

- Car
- Communication
- Home Appliance
- Motor Control
- Sharing Device
- Charging Station

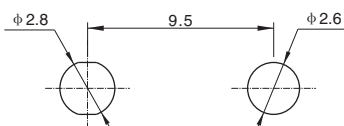
❖ OUTLINE DRAWING



SEALED MICRO SWITCH ❖❖

❖❖ PARAMETERS

Rated Load	3(3)A 250VAC T125 5E4 8(3)A 250VAC T125 10(5)A 250VAC T105 	10GPA 125/250VAC 25T125 5E4 8(4)A 125/250VAC 25T125 5E4 8A 36VDC 25T125 1E5 1/2HP 125/125VAC 25T125 5E4	
Initial Contact Resistance	100mΩ Max		
Working Temperature	25T125		
Service Life	Electrical	10,000 Cycles	
	Mechanical	100,000 Cycles	
Hole For Mounting			



❖❖ ORDERING INSTRUCTION

MDC	D	A	L	N	00	200	A	A	-	0								
series	IP Grade	Circuit type	Load parameters	Lever position	Lever type	Operation force	Base type	Terminal type	Wire									
MDC	D	IP60	A	转换 COM NONC	L	3(3)A 125/250VAC	N	无手柄	00		050	50gf	A		A		0	Without a harness
			B	常开 COM NO	M	8(3)A 125/250VAC	A		01		100	100gf	B		B		W	With wire harness
			C	常闭 COM NC	H	10(5)A 125/250VAC			02		150	150gf	...	其它 Other	L			
									03		200	200gf			R			
									...	Other	...	其它 Other			E			
															...	其它 Other		

For more lever,terminal,mounting holes options, please contact us.

MWD Water Proof Series



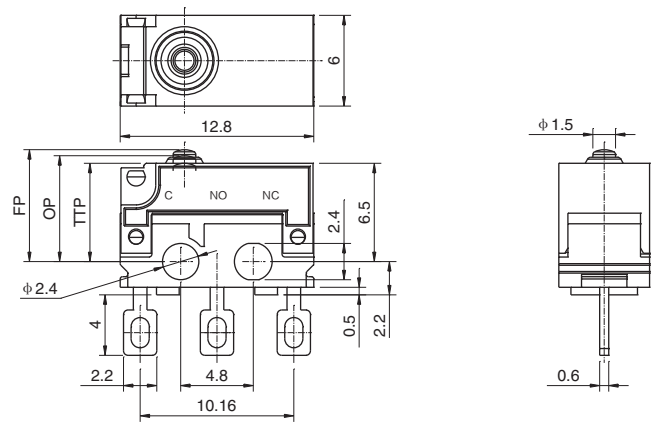
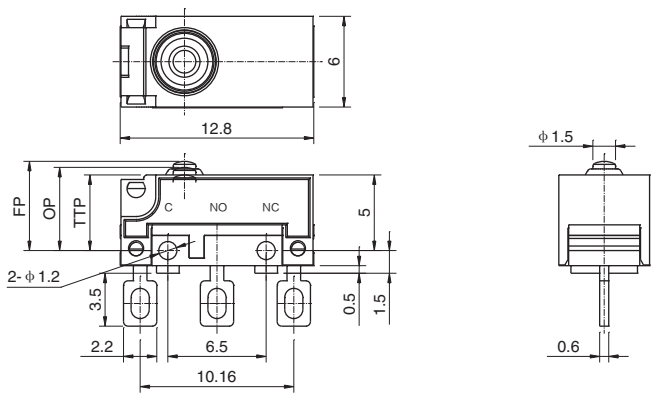
❖ FEATURE

- Designed For Waterproof IP67
- Small Compact Size
- Switch Safety Approvals
- Long Life and High Reliability
- Offer Various Levers
- Complete Variety of Wiring Terminal

❖ APPLICATION

- Electric Heating Aromatherapy Machine
- Car
- Air-Conditioner
- Home Appliance
- Motor Control
- Sharing Device

❖ OUTLINE DRAWING



SEALED MICRO SWITCH ❖❖

❖❖ PARAMETERS

Rated Load		2A 125/250VAC; 3A 30VDC
Insulation Resistance		100 MΩ Min
Dielectric Strength	Between Terminal	500VAC (50 ~ 60HZ)
	Between Terminal and Base	1500VAC (50 ~ 60HZ)
Initial Contact Resistance		100mΩ Max
Working Temperature		40T85
Service Life	Electrical	10,000 Cycles
	Mechanical	100,000 Cycles
Hole For Mounting		

❖❖ ORDERING INSTRUCTION

MWD-	R	A	1	00	150	A	F	-	0
series	IP Grade	Circuit type	Load parameters	Lever type	Operation force	Base type	Terminal type	Wire	
MWD	R		2A 125/250VAC 3A 30VDC		150 150gf max ... Others			0	Without a harness
			... 其它 Others					W	With wire harness

For more lever,terminal,mounting holes options, please contact us.

MWE Water Proof Series



FEATURE

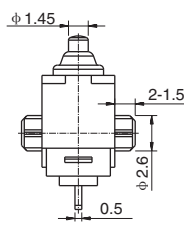
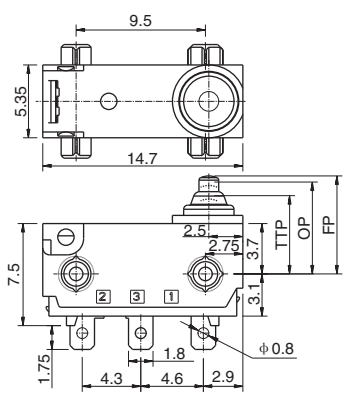
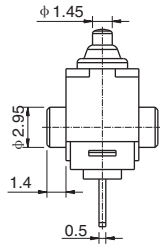
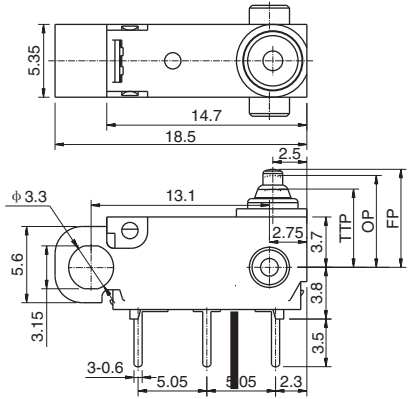
- Designed For Waterproof IP67
- Small Compact Size
- Switch Safety Approvals
- Long Life and High Reliability
- Offer Various Levers
- Complete Variety of Wiring Terminal

Various Dimensions Satisfy Different Installation Requirements

APPLICATION

- Car
- Air-Conditioner
- Communication
- Home Appliance
- Motor Control
- Sharing Device
- Toys
- Charging Station

OUTLINE DRAWING



SEALED MICRO SWITCH

PARAMETERS

Rated Load	0.1A 125/250VAC 1E5 0.1A 48VDC 1E5 3A 12VDC 1E5 3A 36VDC 1E4 3(1)A 125/250VAC 1E4		3(1)A 125/250VAC 1E4 0.1A 125/250VAC 1E5 3A 12VDC 36VDC 1E5 0.1A 48VDC 1E5		
Initial Contact Resistance	100mΩ Max				
Working Temperature	40T85				
Service Life	Electrical	50,000 Cycles			
	Mechanical	100,000 Cycles			
IP Grade	500,000 Cycles				
Hole For Mounting					

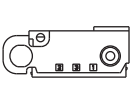

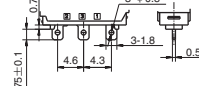
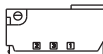
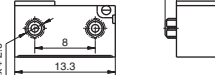
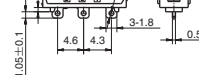


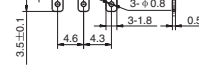
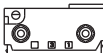

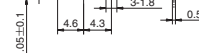
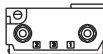

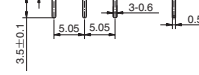


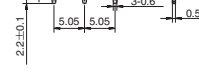


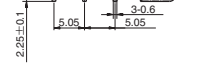


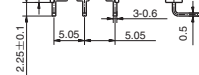
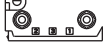

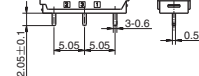

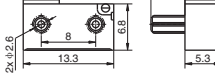
ORDERING INSTRUCTION

MWE	A	1	00			
series	Circuit type	Load parameters	Lever type			
MWE	A	1 0.1A 125/250VAC 1E5 0.1A 48VDC 1E5 3A 12VDC 1E4	00	05	10	15
			01	06	11	16
	B	2 3A 12VDC 1E5 3A 36VDC 1E4 3(1)A 125/250VAC 1E4	02	07	12	17
			03	08	13	18
C	...	Other	04	09	14	19

For more lever,terminal,mounting holes options, please contact us.

SEALED MICRO SWITCH

ORDERING INSTRUCTION

130		I				P				- 0	
Operation force		Base type				Terminal type				Harness	
075	075gf max	A	 1.4 ± 0.1	K	 5 ± 0.1 5 ± 0.1	F	 1.75 ± 0.1 $3 - \phi 0.8$ $3 - 1.8$ 4.6 4.3 0.5	0	Without a Harness		
130	130gf max	B		P	 $2 \times \phi 2.6$ 8 13.3 1.5	S	 1.05 ± 0.1 $3 - \phi 0.8$ $3 - 1.8$ 4.6 4.3 0.5	W	With wire Harness		
...	Other	C	 1.5 ± 0.1	Q	 $2 \times \phi 2.6$ 8 13.3 1.5	K	 3.5 ± 0.1 $3 - \phi 0.8$ $3 - 1.8$ 4.6 4.3 0.5				
		D	 2.5 ± 0.1	R	 13.3	G	 1.05 ± 0.1 $3 - \phi 0.8$ $3 - 1.8$ 4.6 4.3 0.5				
		E	 5 ± 0.1	M		P	 3.5 ± 0.1 5.05 5.05 $3 - 0.6$ 0.5				
		F	 1.5 ± 0.1	N	 $\phi 3.2$ 8 9 13.1 1.5 6.3	D	 2.2 ± 0.1 5.05 5.05 $3 - 0.6$ 0.5				
		G	 2.5 ± 0.1	S	 $\phi 3.2$ 8 9 13.1 1.5 6.3 1.5	L	 2.25 ± 0.1 2.85 ± 0.1 5.05 5.05 $3 - 0.6$ 0.5				
		H	 5 ± 0.1	T	 $\phi 3.2$ 8 9 13.1 5 6.3	R	 2.25 ± 0.1 2.85 ± 0.1 5.05 5.05 $3 - 0.6$ 0.5				
		I	 1.5 ± 0.1 1.5 ± 0.1	U	 $\phi 3.2$ 8 9 13.1 6.3 5	A	 2.05 ± 0.1 5.05 5.05 $3 - 0.6$ 0.5				
		J	 2.5 ± 0.1 2.5 ± 0.1	V	 $2 \times \phi 2.6$ 8 13.3 5 5.3						

For more lever, terminal, mounting holes options, please contact us.

MWF Water Proof Series



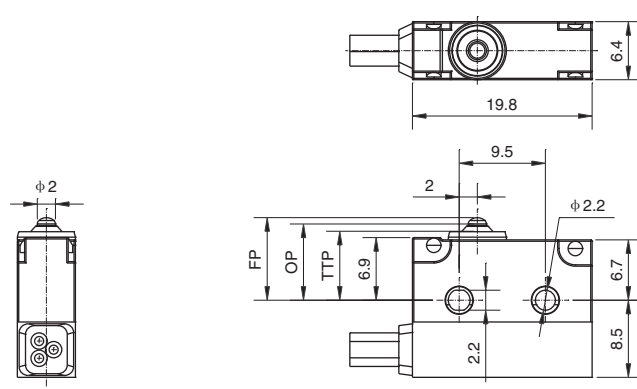
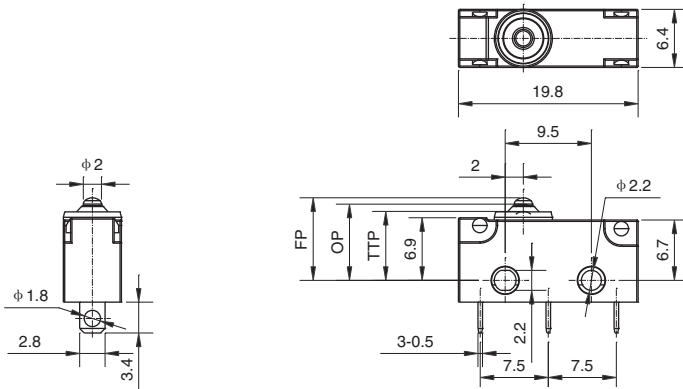
❖ FEATURE

- Designed For Waterproof IP67
- Small Compact Size
- Switch Safety Approvals
- Long Life and High Reliability
- Offer Various Levers
- Complete Variety of Wiring Terminal

❖ APPLICATION

- Car
- Air-Conditioner
- Communication
- Home Appliance
- Motor Control
- Sharing Device
- Toys
- Charging Station

❖ OUTLINE DRAWING



SEALED MICRO SWITCH ❖❖

❖❖ PARAMETERS

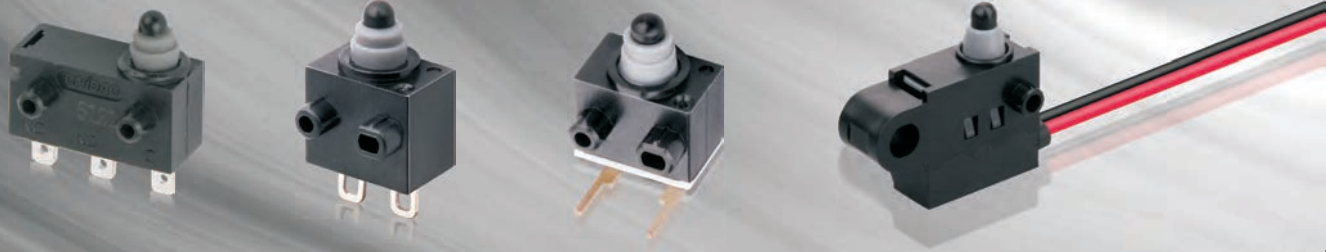
Rated Load	10(3)A 125/250VAC 1E4 μ 10(2)A 125/250VAC 1E4 μ 8(3)A 125/250VAC 5E4 μ 5(3)A 125/250VAC 5E4 μ 1/4HP 125VAC 1E4 μ 10A 36VDC 5E4 μ	10(2)A 125/250VAC 1E4 μ 8(3)A 125/250VAC 5E4 μ 5(3)A 125/250VAC 5E4 μ 10A 36VDC 5E4 μ	10(2)A 125/250VAC 1E4 μ 8(3)A 125/250VAC 5E4 μ 5(3)A 125/250VAC 5E4 μ 10A 36VDC μ 5E4
Initial Contact Resistance	100m Ω Max		
Working Temperature	40T125		
Service Life	Electrical	10,000 Cycles	
	Mechanical	300,000 Cycles	
安装尺寸/Hole For Mounting	LEVER POSITION		

❖❖ ORDERING INSTRUCTION

MWF-	R	A	2	N	00	300	F	-	0
series	IP Grade	Circuit type	Load parameters	Lever position	Lever type	Operation force	Terminal type	Wire	
MWF	R	IP67	A 1 B 2 C 6 ... Other	10(2)A 125/250VAC 8(3)A 125/250VAC 5E4 1/4HP 125VAC 5(3)A 125/250VAC 5E4 10A 36VDC 5E4 0.1A 125/250VAC 5E4 0.1A 36VDC 5E4 ... Other	N A B 02 04 05 09 12 ... Other	 	100gf max. 200gf max. 300gf max. 其它 Other	F T P Q L R ... Other	0 Without a harness W With wire harness

More pressing rods, terminals and other accessories, please contact us.

MWG Water Proof Series



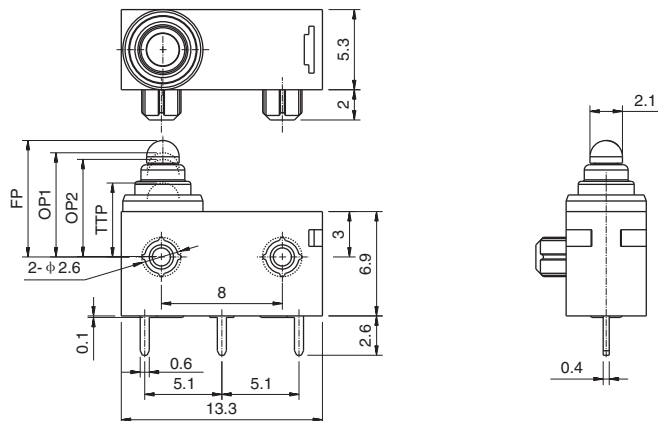
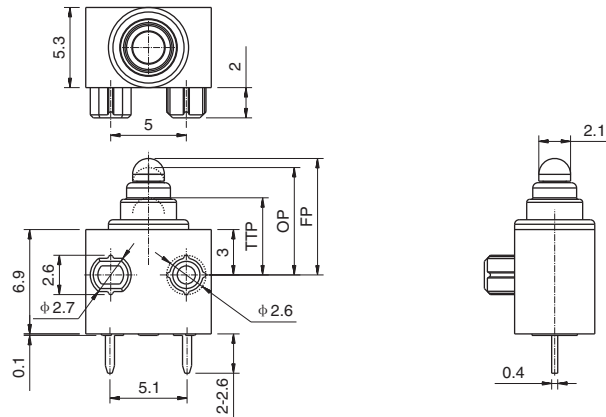
❖ FEATURE

- Designed For Waterproof IP67
- Small Compact Size
- Long Life and High Reliability
- Slide Structure
- Complete Variety of Wiring Terminal

❖ APPLICATION


- Car
- Air-Conditioner
- Communication
- Sharing Device
- Toys

❖ OUTLINE DRAWING

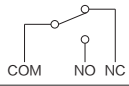

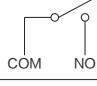

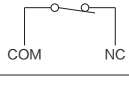
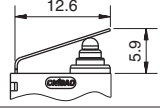
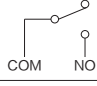
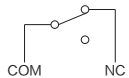


SEALED MICRO SWITCH ❖❖

❖❖ PARAMETERS

Rated Load		0.1A 12VDC; 50 μA 5VDC; 20mA 12VDC
IP Grade		IP67
Initial Contact Resistance		500mΩ Max
Insulation Resistance		100 MΩ Min
Dielectric Strength	Between Terminal	500VAC (50 ~ 60HZ)
	Between Terminal and Base	1000VAC (50 ~ 60HZ)
Working Temperature		40T85
Service Life	Electrical	300,000 Cycles
	Mechanical	300,000 Cycles
Hole For Mounting		
		

❖❖ ORDERING INSTRUCTION

MWG-	A	1	00	060	
series	Circuit type		Load parameters	Lever type	Operation force
MWG	A		1 0.1A 12VDC	00 	040 40 ± 20gf
	B		... Other	01 	060 60 ± 30gf
	C			02 	100 100 ± 40gf
	D				... Other
	E				

SEALED MICRO SWITCH ❖❖

❖❖ ORDERING INSTRUCTION

A		F	-	0
Housing type		Terminal type		Wire
编号	B/C	A/D/E		
A			F	0 Without a harness
B			P	W With wire harness
C			R	
D			S	
E			M	
F			X	
G				
I				
J				
K				
L				

For more lever,terminal,mounting holes options, please contact us.

MWJ Water Proof Series



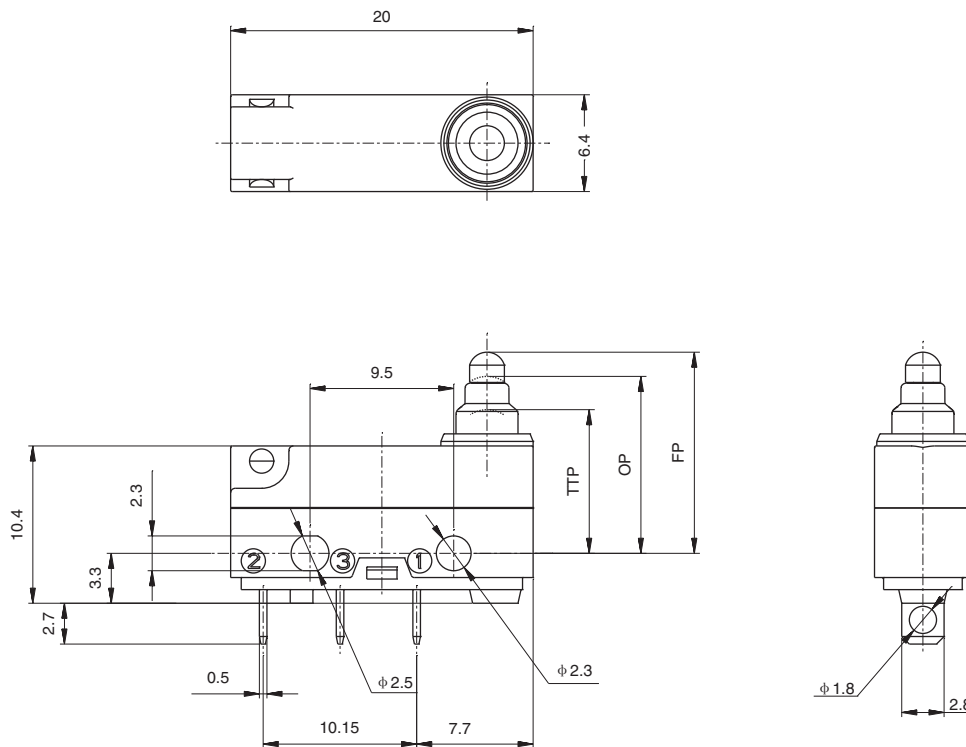
❖ FEATURE

- Designed For Waterproof IP67
- Small Compact Size
- Switch Safety Approvals
- Long Life and High Reliability
- Offer Various Levers
- Complete Variety of Wiring Terminal

❖ APPLICATION

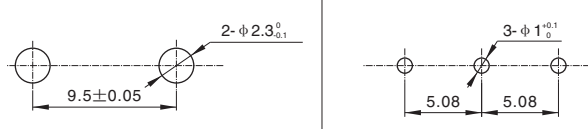
- Car
- Air-Conditioner
- Communication
- Home Appliance
- Motor Control
- Sharing Device
- Toys
- Charging Station

❖ OUTLINE DRAWING

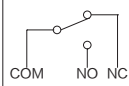
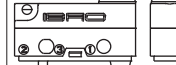
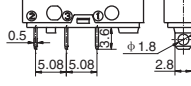

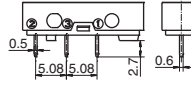
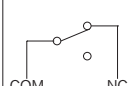


SEALED MICRO SWITCH ❖❖

❖❖ PARAMETERS

Rated Load		0.1A 125/250VAC 5E4 5(2)A 125/250VAC 5E4
Initial Contact Resistance		100mΩ Max
Working Temperature		40T85
Service Life	Electrical	50,000 Cycles 100,000 Cycles
	Mechanical	1,000,000 Cycles
IP Grade		IP67
Hole For Mounting		

❖❖ ORDERING INSTRUCTION

MWJ-	A	1	00	250	A	F	0
series	Circuit type	Load parameters	Lever type	Operation force	Base type	Terminal type	Harness
MWJ	A 	1 0.1A 125/250VAC 1E5 0.1A 48VDC 1E5	00	150 150gf max	A 	F 	0 Without harness
	B 	2 5(2)A 125/250VAC 1E4		250 250 ± 50gf		P 	W With wire harness
	C 			... Other		... Other	

For more lever,terminal,mounting holes options, please contact us.

MWK Water Proof Series



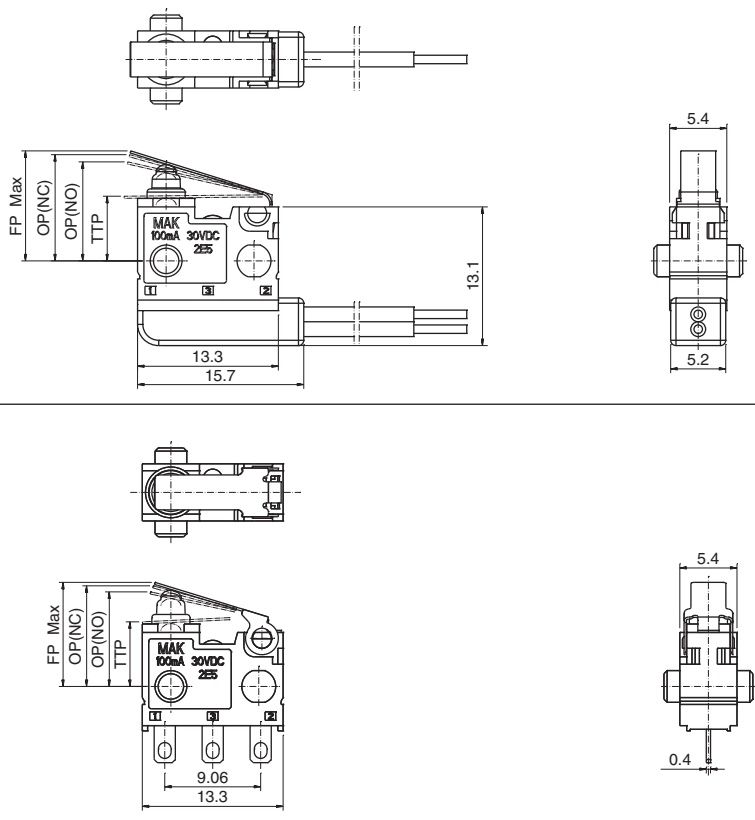
❖ FEATURE

- Designed For Waterproof IP67
- Small Compact Size
- Switch Safety Approvals
- Long Life and High Reliability
- Offer Various Levers
- Complete Variety of Wiring Terminal

❖ APPLICATION

- Car
- Air-Conditioner
- Communication
- Home Appliance
- Motor Control
- Sharing Device
- Toys
- Charging Station

❖ OUTLINE DRAWING



SEALED MICRO SWITCH ❄

❄ PARAMETERS

Rated Load		100mA 30VDC
Initial Contact Resistance		1 Ω Max
Working Temperature		40T85
Service Life	Electrical	200,000 Cycles
IP Grade		IP67
Hole For Mounting 		

❄ ORDERING INSTRUCTION

MAK-	A	1	00	150	A	A	-	0
series	Circuit type	Load parameters		Lever type	Operation force	Base type	Terminal type	Harness
MAK	A 	1	0.1A 30VDC 2E5	00 	150 150gf Max	A 	A 	0 Without a harness
	B 			01 	170 170gf Max			W With wire harness
	C 			02 				

For more lever, terminal, mounting holes options, please contact us.



MICRO SWITCH SERIES

MICRO SWITCH

PARAMETERS

Rated Load	26(16)A 125/250VAC 40T125 1E4&5E4 μ 22(8)A 125/250VAC T125 1E4&5E4 μ 16(8)A 125/250VAC T125 1E4&5E4 μ 10(3)A 125/250VAC 40T125 1E4&5E4 μ 5(3)A 125/250VAC 40T125 5E4 μ 0.1(0.05)A 125/250VAC 40T125 5E4 μ 1HP 125VAC T125 5E4 μ 2HP 250VAC T125 5E4 μ 10A 36VDC 5E4 μ 10A 48VDC 5E4 μ	22(8)A 125/250VAC 25T125 5E4 μ 22A 125/250VAC 25T125 5E4 μ 16(8)A 125/250VAC 25T125 5E4 μ 16A 125/250VAC 25T125 5E4 μ
Initial Contact Resistance	100m Ω Max	
Working Temperature	40T125	
Service Life	电气/Electrical	10,000 Cycles
	机械/Mechanical	100,000 Cycles
Hole For Mounting	Lever Position	

订货型号指引 ORDERING INSTRUCTION

MSA-	O	A	M	A	00	300	A	F	-	0																																																																																																																
series	IP Grade	Circuit type	Load parameters	Lever position	Lever type	Operation force	Housing type	Terminal type	Wire																																																																																																																	
MSA	O	IP40	<table border="1"> <tr> <td rowspan="2">A</td> <td rowspan="2"></td> <td>0.1A 125/250VAC</td> <td>N</td> <td rowspan="2">00</td> <td rowspan="2"></td> <td>050gf Max</td> <td rowspan="2">A</td> <td rowspan="2"></td> <td rowspan="2">A</td> <td rowspan="2"></td> <td rowspan="2">187 T=0.5mm</td> <td rowspan="2">0</td> <td rowspan="2">Without a harness</td> </tr> <tr> <td>0.1A 36VDC</td> <td>A</td> <td>100gf Max</td> </tr> <tr> <td rowspan="2">B</td> <td rowspan="2"></td> <td>1/4HP 125VAC</td> <td>B</td> <td rowspan="2">01</td> <td rowspan="2"></td> <td>200gf Max</td> <td rowspan="2">B</td> <td rowspan="2"></td> <td rowspan="2">B</td> <td rowspan="2"></td> <td rowspan="2">187 T=0.5mm</td> <td rowspan="2">W</td> <td rowspan="2">With wire harness</td> </tr> <tr> <td>16(8)A 125/250VAC</td> <td></td> <td>300gf Max</td> </tr> <tr> <td rowspan="2">C</td> <td rowspan="2"></td> <td>10A 36VDC</td> <td rowspan="2">M</td> <td rowspan="2">02</td> <td rowspan="2"></td> <td>400gf Max</td> <td rowspan="2">...</td> <td rowspan="2">Other</td> <td rowspan="2">C</td> <td rowspan="2"></td> <td rowspan="2">187 T=0.8mm</td> <td rowspan="2"></td> <td rowspan="2"></td> </tr> <tr> <td>1/2HP 125VAC</td> <td></td> <td>Other</td> </tr> <tr> <td rowspan="3">H</td> <td rowspan="3"></td> <td rowspan="3"></td> <td rowspan="3">26(16)A 125/250VAC</td> <td rowspan="3">03</td> <td rowspan="3"></td> <td rowspan="3"></td> <td rowspan="3"></td> <td rowspan="3"></td> <td rowspan="3">D</td> <td rowspan="3"></td> <td rowspan="3">T=0.8mm</td> <td rowspan="3"></td> <td rowspan="3"></td> </tr> <tr> <td>10A 48VDC</td> <td rowspan="2">04</td> <td rowspan="2"></td> <td rowspan="2"></td> <td rowspan="2"></td> <td rowspan="2"></td> <td rowspan="2">E</td> <td rowspan="2"></td> <td rowspan="2">T=0.8mm</td> </tr> <tr> <td>1HP 125VAC</td> </tr> <tr> <td>...</td> <td></td> <td></td> <td>Other</td> <td>05</td> <td></td> <td></td> <td></td> <td></td> <td>F</td> <td></td> <td>250 T=0.8mm</td> <td></td> <td></td> </tr> <tr> <td></td> <td></td> <td></td> <td></td> <td>06</td> <td></td> <td></td> <td></td> <td></td> <td></td> <td>G</td> <td></td> <td>187 T=0.8mm</td> <td></td> <td></td> </tr> <tr> <td></td> <td></td> <td></td> <td></td> <td>...</td> <td>其它 Other</td> <td></td> <td></td> <td></td> <td></td> <td>...</td> <td>Other</td> <td></td> <td></td> <td></td> </tr> </table>	A		0.1A 125/250VAC	N	00		050gf Max	A		A		187 T=0.5mm	0	Without a harness	0.1A 36VDC	A	100gf Max	B		1/4HP 125VAC	B	01		200gf Max	B		B		187 T=0.5mm	W	With wire harness	16(8)A 125/250VAC		300gf Max	C		10A 36VDC	M	02		400gf Max	...	Other	C		187 T=0.8mm			1/2HP 125VAC		Other	H			26(16)A 125/250VAC	03					D		T=0.8mm			10A 48VDC	04					E		T=0.8mm	1HP 125VAC	...			Other	05					F		250 T=0.8mm							06						G		187 T=0.8mm							...	其它 Other					...	Other			
A		0.1A 125/250VAC	N			00				050gf Max								A		A				187 T=0.5mm			0								Without a harness																																																																																							
		0.1A 36VDC	A	100gf Max																																																																																																																						
B		1/4HP 125VAC	B	01		200gf Max	B		B		187 T=0.5mm	W	With wire harness																																																																																																													
		16(8)A 125/250VAC				300gf Max																																																																																																																				
C		10A 36VDC	M	02		400gf Max	...	Other	C		187 T=0.8mm																																																																																																															
		1/2HP 125VAC												Other																																																																																																												
H			26(16)A 125/250VAC	03					D		T=0.8mm																																																																																																															
														10A 48VDC	04					E		T=0.8mm																																																																																																				
														1HP 125VAC																																																																																																												
...			Other	05					F		250 T=0.8mm																																																																																																															
				06						G		187 T=0.8mm																																																																																																														
				...	其它 Other					...	Other																																																																																																															

For more lever,terminal,mounting holes options, please contact us.

MSC Series



❖ FEATURE

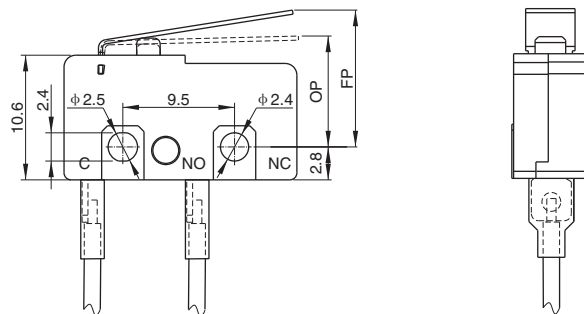
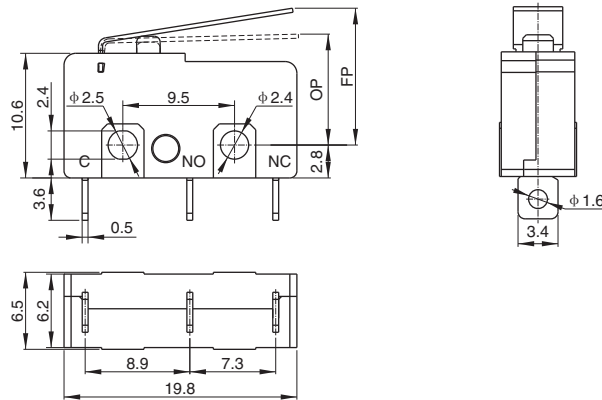
- Small Compact Size
- Switch Safety Approvals
- Long Life and High Reliability
- Offer Various Levers
- Complete Variety of Wiring Terminal

Various Dimensions Satisfy Different Installation Requirements

❖ APPLICATION

- Air-Conditioner
- Communication
- Home Appliance
- Motor Control
- Sharing Device
- Toys
- Industrial control

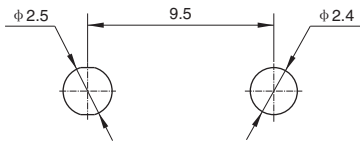
❖ OUTLINE DRAWING



MICRO SWITCH ❄

❄ PARAMETERS

Rated Load	3(3)A 250VAC T125 5E4 8(3)A 250VAC T125 10(5)A 250VAC T105		10GPA 125/250VAC 25T125 5E4 8(4)A 125/250VAC 25T125 5E4 8A 36VDC 25T125 1E5 1/2HP 125/125VAC 25T125 5E4	
Initial Contact Resistance			100mΩ Max	
Working Temperature			25T125	
Service Life	Electrical			10,000 Cycles
	Mechanical			100,000 Cycles
Hole For Mounting				

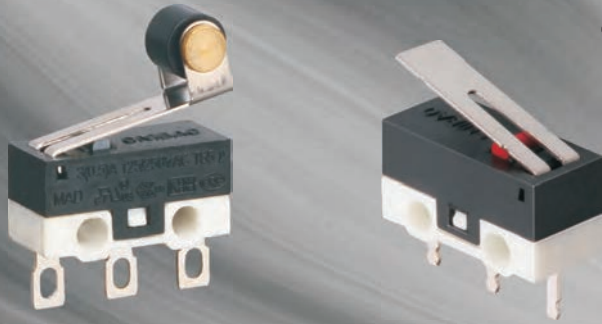


❄ ORDERING INSTRUCTION

MSC-	O	A	L	N	00	200	A	A	A	-	0									
series	IP Grade	Circuit type	Load parameters	Lever position	Lever type	Operation force	Base type	Terminal type	Button type	Wire										
MSC-	O	IP40	A		L	3(3)A 125/250VAC	N		00		050	50gf	A		A		A		0	Without a harness
			B		M	8(3)A 125/250VAC	A		01		100	100gf	B		B		B		W	With wire harness
			C		H	10(5)A 125/250VAC			02		150	150gf	...	Other	L		C			
									03		200	200gf			R					
									04		...	Other			E					
									05						...	Other				
									06											
									07											
									...	其它 Other										

For more lever,terminal,mounting holes options,please contact us.

MSD Series



❖ FEATURE

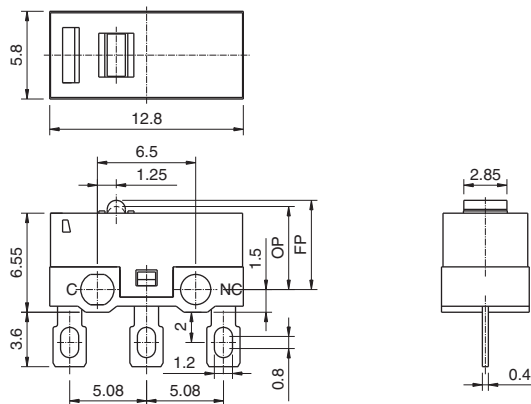
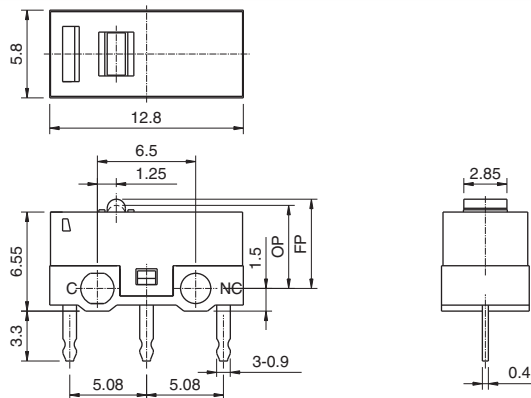
- Small Compact Size
- Switch Safety Approvals
- Long Life and High Reliability
- Offer Various Levers
- Complete Variety of Wiring Terminal

Various Dimensions Satisfy Different Installation Requirements

❖ APPLICATION

- Communication
- Home Appliance
- Motor Control
- Sharing Device
- Toys
- Charging Station
- Office Equipment

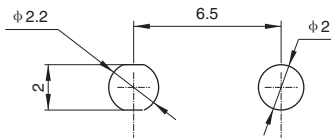
❖ OUTLINE DRAWING



MICRO SWITCH ❄

❄ PARAMETERS

Rated Load	3(0.5)A 125/250VAC T85 μ 3A 125/250VAC T85 μ 0.3A 125/250VAC T85 μ 	3(0.5)A 125/250VAC T85 μ 3A 125/250VAC T85 μ 0.3A 125/250VAC T85 μ 	3(0.5)A 125/250VAC T85 1E4 μ
Initial Contact Resistance	100m Ω Max		
Working Temperature	T85		
Service Life	Electrical	10,000 Cycles	
	Mechanical	100,000 Cycles	
Hole For Mounting			

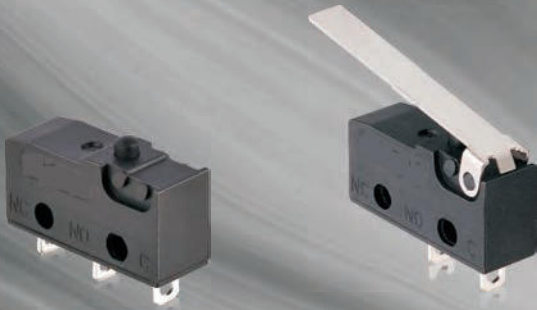


❄ ORDERING INSTRUCTION

MSD-	0	A	H	N	00	150	A	0		
series	IP Grade	Circuit type	Load parameters	Lever position	Lever type	Operation force	Terminal type	Wire		
MSD	0	IP40	L 0.1A 125/250VAC H 3(0.5)A 125/250VAC	N A	00 01	100 150	100gf Max 150gf Max	A B	0 W	Without a harness With wire harness
		A 	...		02 03 04 05 06 ...			L R E ...		
		B 	Other							
		C 								

For more lever,terminal,mounting holes options, please contact us.

MSF Series



❖ FEATURE

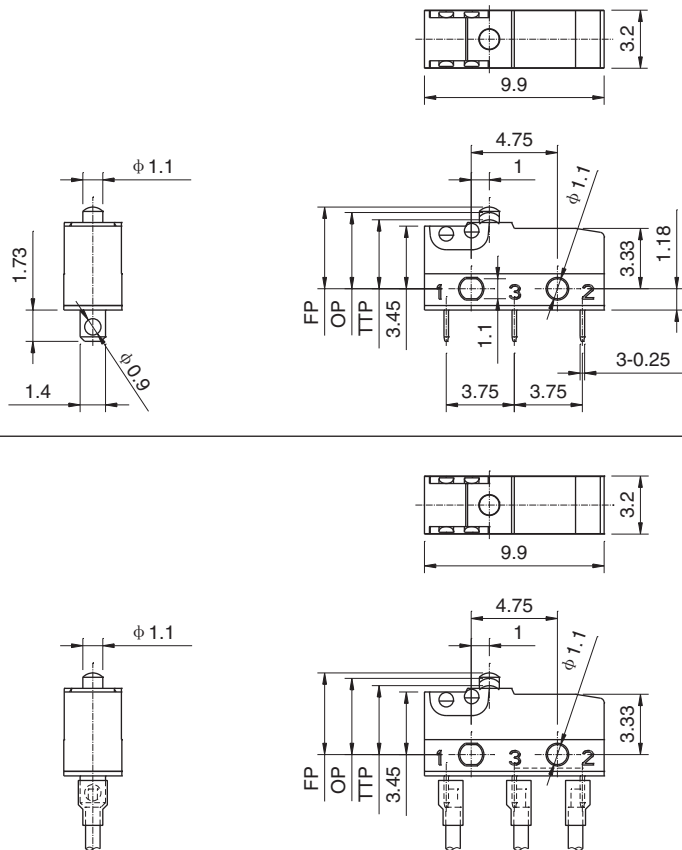
- Small Compact Size
- Switch Safety Approvals
- Long Life and High Reliability
- Offer Various Levers
- Complete Variety of Wiring Terminal

Various Dimensions Satisfy Different Installation Requirements

❖ APPLICATION

- Car
- Air-Conditioner
- Medical Equipment
- Home Appliance
- Motor Control
- Sharing Device
- Air-cleaning Device

❖ OUTLINE DRAWING



MICRO SWITCH

PARAMETERS

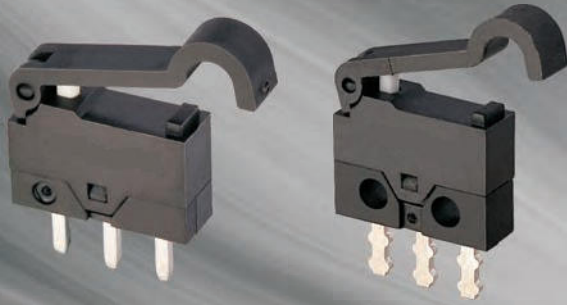
Rated Load	10(3)A 125/250VAC 1E4 μ 10(2)A 125/250VAC 1E4 μ 8(3)A 125/250VAC 5E4 μ 5(3)A 125/250VAC 5E4 μ 1/4HP 125VAC 1E4 μ 10A 36VDC 5E4 μ 	10(2)A 125/250VAC 1E4 μ 8(3)A 125/250VAC 5E4 μ 5(3)A 125/250VAC 5E4 μ 10A 36VDC 5E4 μ 	10(2)A 125/250VAC 1E4 μ 8(3)A 125/250VAC 5E4 μ 5(3)A 125/250VAC 5E4 μ 10A 36VDC μ 5E4
Initial Contact Resistance	100m Ω Max		
Working Temperature	40T125		
Service Life	Electrical	10,000 Cycles	
	Mechanical	300,000 Cycles	
Hole For Mounting	Lever Position		

ORDERING INSTRUCTION

MSF-	0	A	M	N	00	300	F	-	0	
series	IP Grade		Circuit type	Load parameters	Lever position	Lever type	Operation force	Terminal type		Wire
MSF	0	IP40	A	10(2)A 125/250VAC	N		100gf max.	F	0	Without a harness
				8(3)A 125/250VAC 5E4	A		200gf max.			
			B	1/4HP 125VAC	01	300gf max.	T	W	With wire harness	
				5(3)A 125/250VAC 5E4		Other				Other
			C	10A 36VDC 5E4	02		P			
				0.1A 125/250VAC 5E4						04
			0.1A 36VDC 5E4	05	09		R			
			Other	12						Other
				...	Other					

More pressing rods, terminals and other accessories, please contact us.

MSZ Series



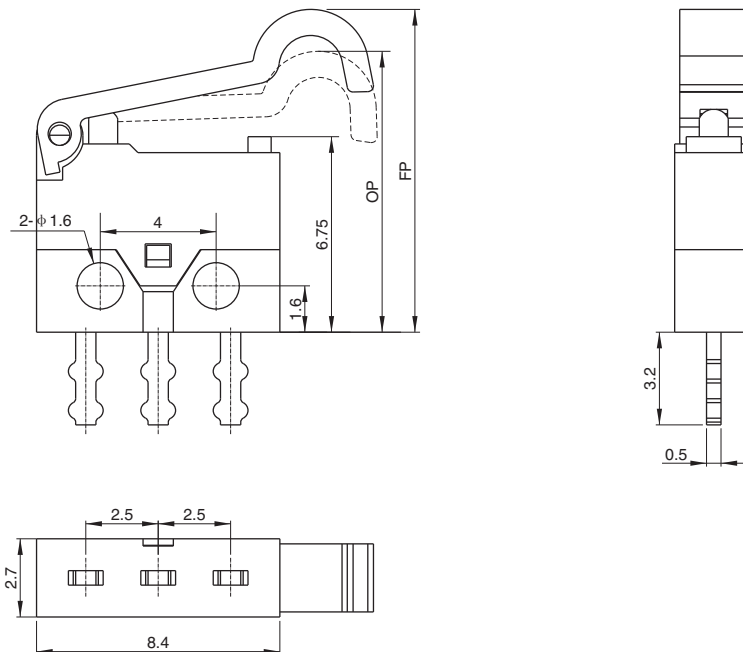
❖ FEATURE

- Small Compact Size
- Long Life and High Reliability
- Offer Various Levers
- Complete Variety of Terminal
- Designed For Dustproof IP40

❖ APPLICATION

- Electric Heating Aromatherapy Machine
- Car
- Air-Conditioner
- Home Appliance
- Motor Control
- Sharing Device

❖ OUTLINE DRAWING


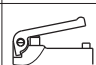

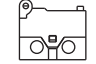


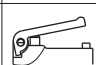

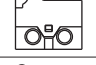

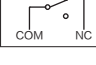
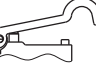


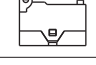




MICRO SWITCH ❖❖

❖❖ PARAMETERS

Rated Load	0.1A 30VDC 2E4	
	1A 15VDC 1E4	
Initial Contact Resistance	100mΩ Max	
Working Temperature	25T125	
Service Life	Electrical	10,000 Cycles
	Mechanical	100,000 Cycles

❖❖ ORDERING INSTRUCTION

MSZ-	0	A	L	N	00	100	A	A		
series	IP Grade		Circuit type	Load parameters	Lever position	Lever type	Operation force		Base type	Terminal type
MSZ	0	IP40	A 	L 0.1A 30VDC	N 	00 	100 100gf	A 	A 	
			B 	H 1A 15VDC	A 	01 	050 050gf	B 	B 	
			C 			02 	025 025gf	C 	C 	
						... Other	... Other	D 	L 	
								... Other	R 	
									... Other	

For more lever,terminal,mounting holes options,please contact us.