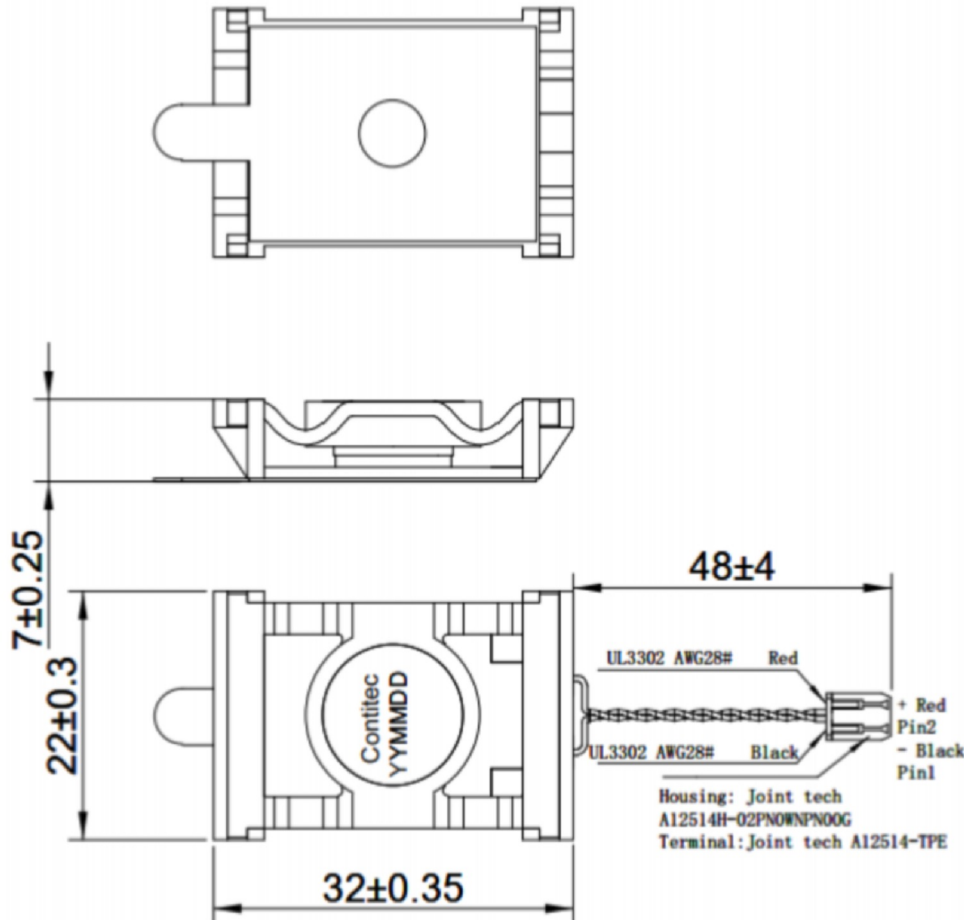


### Dimension



### Vibration Actuator

#### ■ CA-VC3323A

#### Feature

- High acceleration
- Low resonance frequency
- Compact design
- Application: touch panel, button, switch for automotive, industrial solutions

#### Specification

Dimension (mm)	32x22x7mm
Rated/max Input Power	0.5W/1.0W
Impedance (Ω)	8Ω ± 15%
Acceleration at 2.83 Vrms	≥ 2 ± 10% Grms @100g load
Frequency Range (Hz)	110 ~220Hz
Resonance Frequency (Fo)	140±10%Hz
Temperature Range (C)	-40 to + 85

#### Automotive Application

