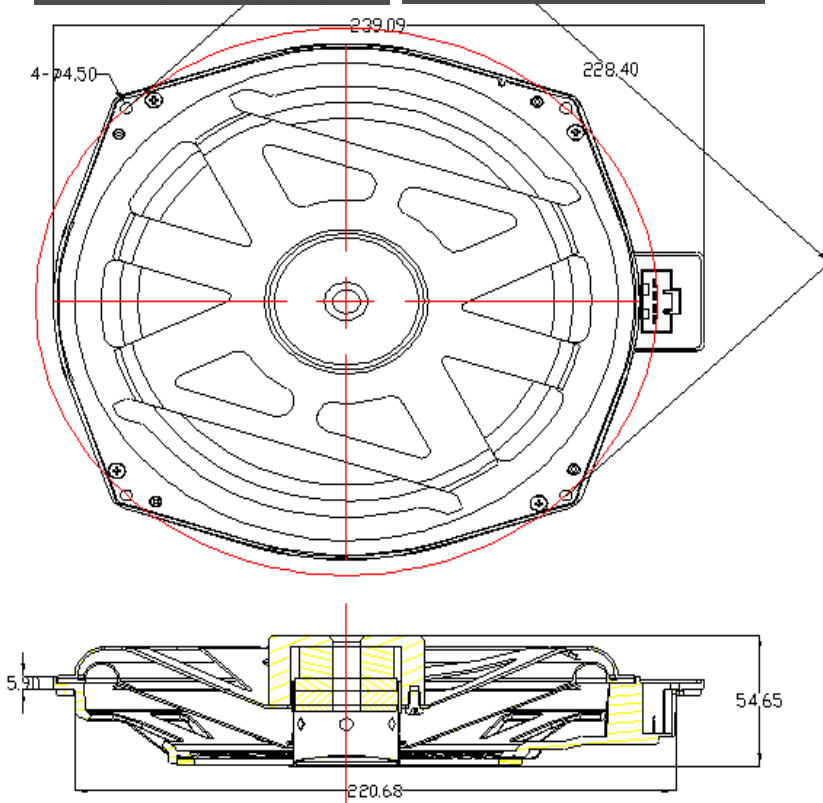
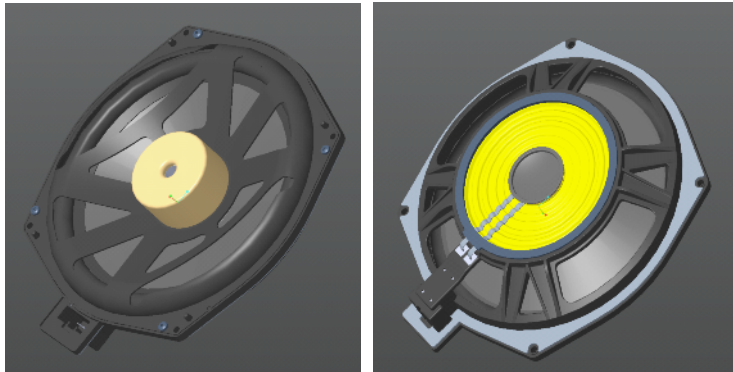


Dimension



Sub Woofer

■ CA-SW23954

Feature

- Very thin, light weight , high SPL
- Application: automotive, under seat woofer

Specification

Dimension (mm)	239x54mm
Rated/max Input Power	100W/150W
Impedance (Ω)	2,1 Ω \pm 15%
S.P.L. (dB)	87dB \pm 3dB at 1W/1M 0.4 /0.5 /0.6/0.8 KHz
Frequency Range (Hz)	30~1kHz.
Resonance Frequency (Fo)	50 \pm 20%Hz
Temperature Range (C)	-20 to + 85 C