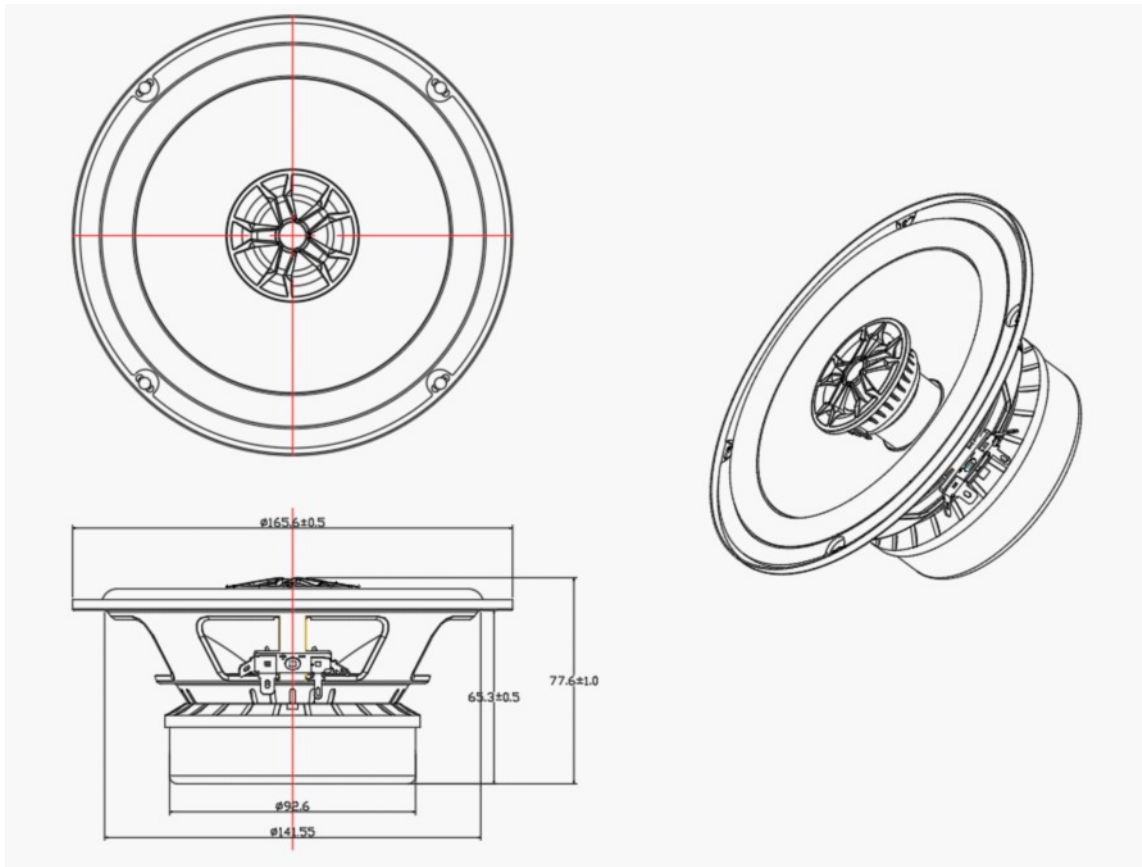
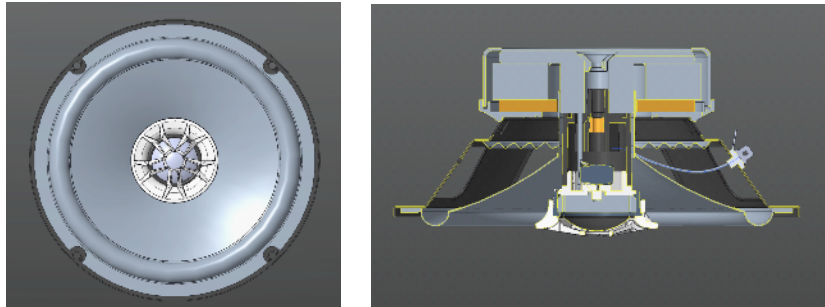


## Dimension



## Coaxial Speaker

### ■ CA-SP16573

#### Feature

- coaxial speaker 50W
- Application: automotive rear door

#### Specification

Dimension (mm)	165x73mm
Rated/max Input Power	50W/100W
Impedance ( $\Omega$ )	4 $\Omega$ $\pm$ 15%
S.P.L. (dB)	88dB $\pm$ 3dB 1.0 /1.2 /1.5/2.0 KHz
Frequency Range (Hz)	40~20kHz.
Resonance Frequency (Fo)	60 $\pm$ 20%Hz
Temperature Range (C)	-20 to + 85 C