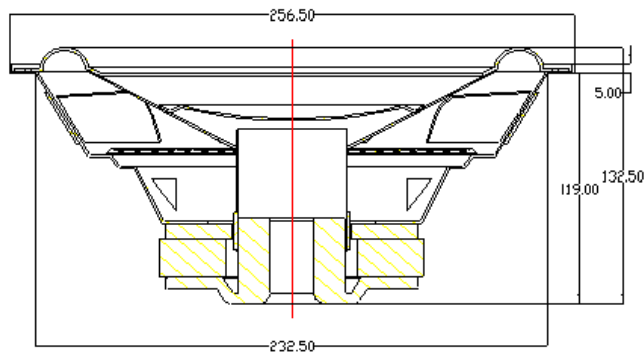
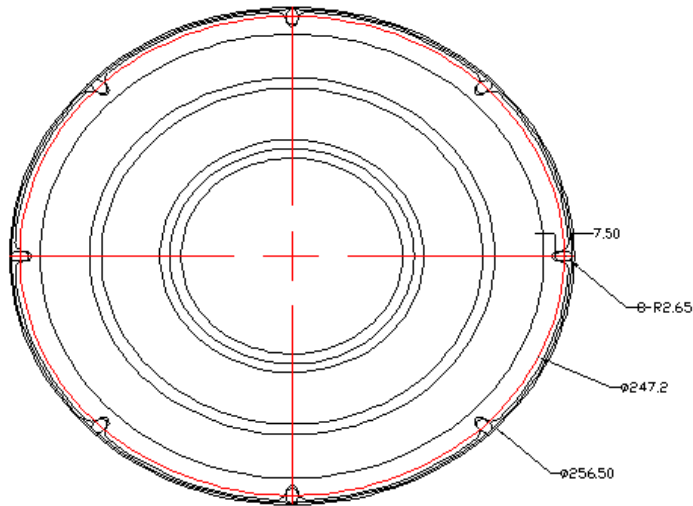
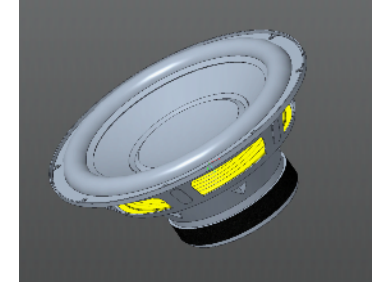


Dimension



Sub woofer

■ CA-SW256132A



Feature

- Ultra low impedance
- Application: automotive, car sub woofer

Specification

Dimension (mm)	256x132mm
Rated/max Input Power	150W/300W
Impedance (Ω)	0,4 $\Omega \pm 20\%$
S.P.L. (dB)	87dB \pm 3dB
Frequency Range (Hz)	20~300 Hz
Resonance Frequency (Fo)	33 \pm 20%Hz
Temperature Range (C)	-20 to + 85 C