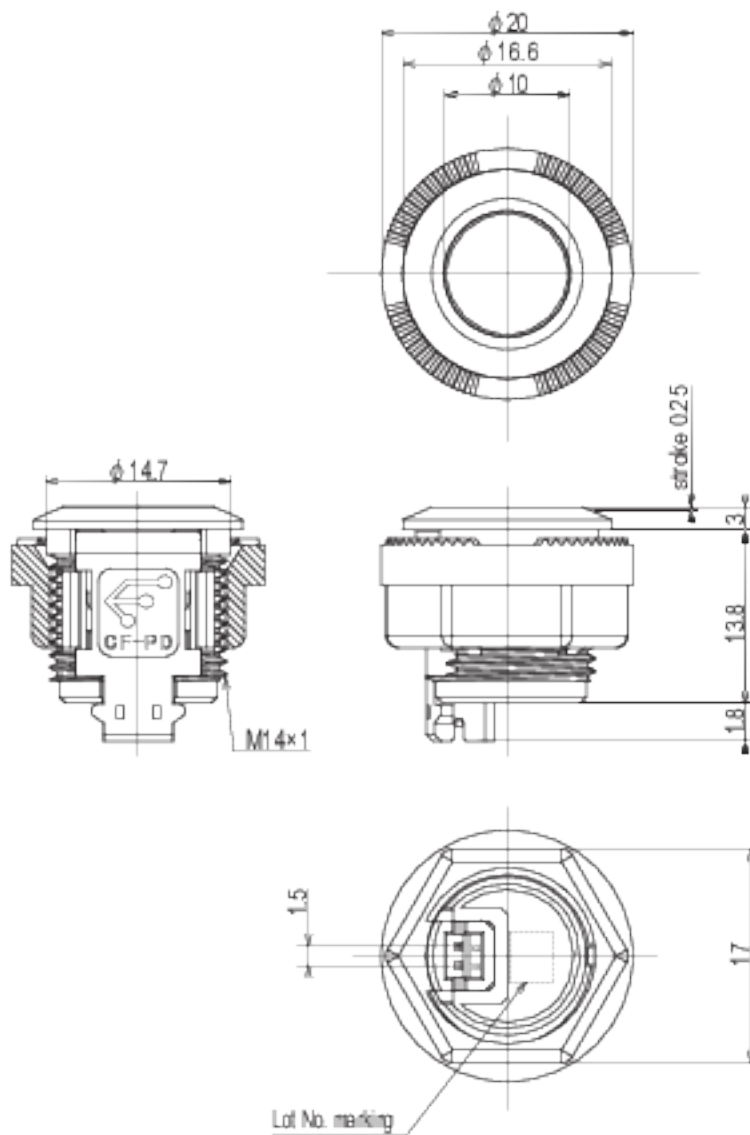
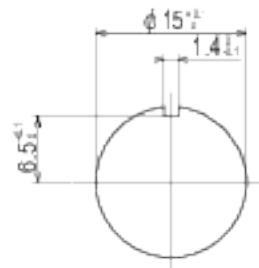


CF-PD**Outline Dimensions**

Unless otherwise specified, tolerance: ± 0.3 (unit:mm)

**Panel Cut-out Dimensions**

Panel thickness: 1~3mm

Precautions

※Nut tighten torque : under 0.29 (N·m)

※Nut is an accessory.

Applicable Connector

ZHR-2 (Housing) by J.S.T. MFG CO., LTD.