

# RJ-4

## CERMET TRIMMERS

### MAXIMUM INPUT RATINGS

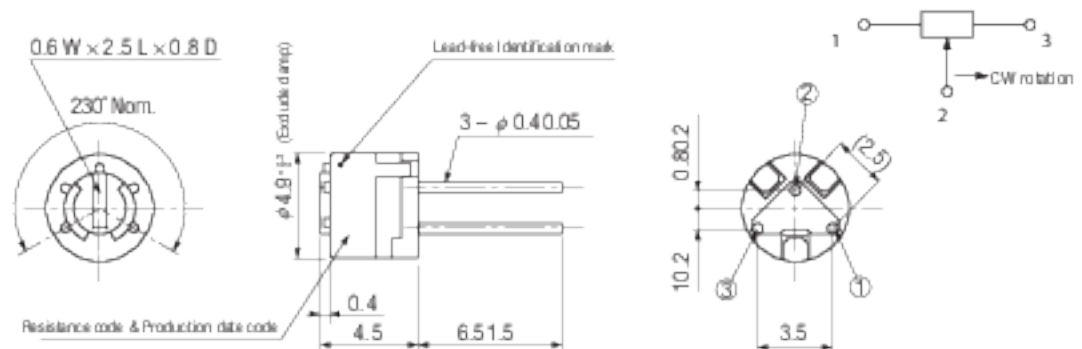
Nominal resistance values (Ω)	Resistance code	Maximum input voltage (V)	Maximum wiper current (mA)
→ 10	100	1.00	100
→ 20	200	2.00	100
→ 50	500	5.00	100
→ 100	101	7.07	70.7
→ 200	201	10.0	50.0
→ 500	501	15.8	31.6
1 k	102	22.4	22.4
2 k	202	31.6	15.8
5 k	502	50.0	10.0
10 k	103	70.7	7.07
20 k	203	100	5.00
50 k	503	158	3.16
100k	104	200	2.00
200k	204	200	1.00
500k	504	200	0.40
1 M	105	200	0.20
2 M	205	200	0.10

The products indicated by → mark are manufactured upon receipt of order basis.

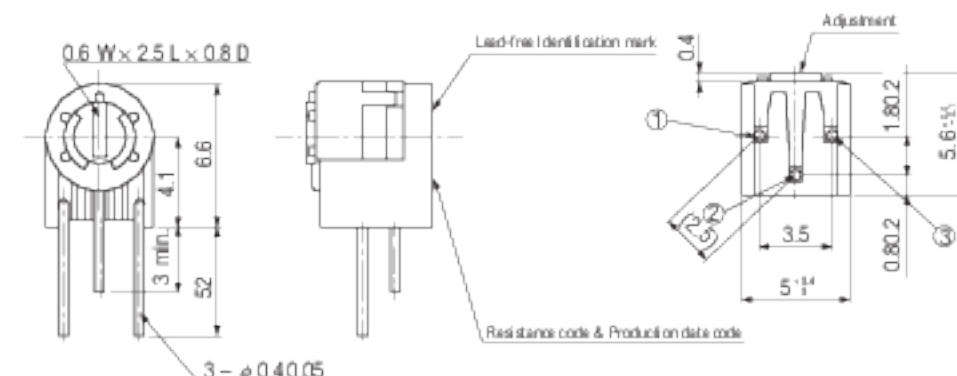
### OUTLINE DIMENSIONS

Unless otherwise specified, tolerance : ± 0.3 (Unit : mm)

#### RJ-4EW Top adjustment



#### RJ-4EWS Side adjustment



### PACKAGING SPECIFICATIONS

#### <Bulk pack specifications>

- Unit of bulk pack in a plastic bag is 50 pcs. per pack.
- Boxing of bulk in a plastic bag is performed with 200 pcs. per box.